

Series LVK

Description

Visual/electric level indicator with temperature controls for both static and mobile applications.

Completely transparent, it provides a view of the fluid over the entire length, both from the front and on both sides.

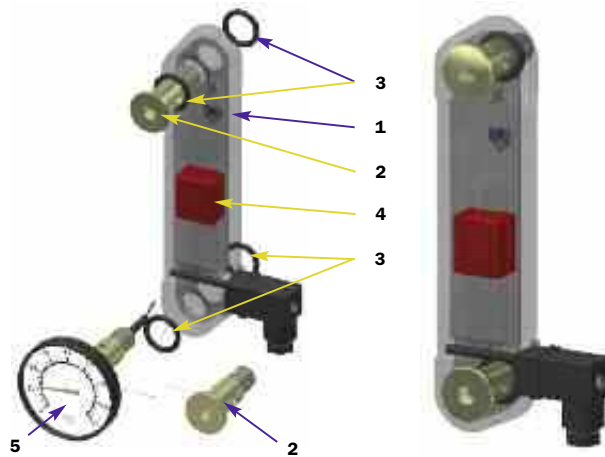
The quality and thickness, 4 millimetres, of the construction material provides the utmost dependability and mechanical strength without any need for additional protection.

LVK (Materials)

- 1 - Body: Polyamide
- 2 - Screws: Nickel Plated Brass (Standard)
AISI 316 (Option)
- 3 - Seals: NBR (Standard)
FPM (Option)
- 4 - Float: Polyamide
- 5 - Sensor thermometer: Screw + thermometer

Temperatures: from -20 °C to +80 °C

Screw tightening torque: 10Nm

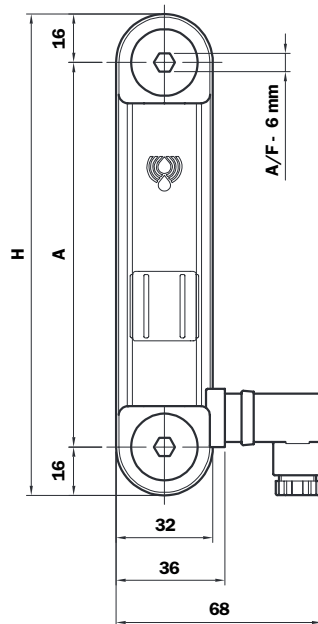
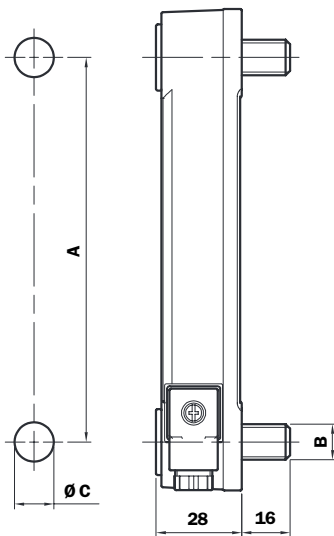


Compatibility

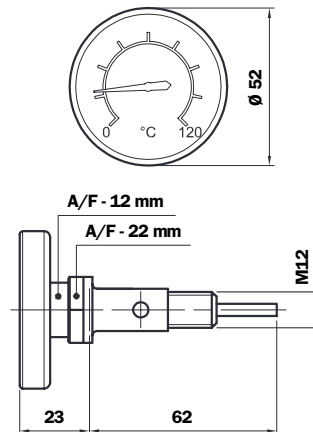
- NBR seals, compatible with:
Mineral oils to ISO 2943 - aqueous emulsions
Synthetic fluids, glycol water.
- FPM seals, compatible with:
Synthetic fluids type HS-HFDR-HFDS-HFDU.

Dimensions

Reservoir holes



Sensor thermometer



Weight

LVK10: 0,14 Kg

LVK20: 0,17 Kg

LVK30: 0,25 Kg

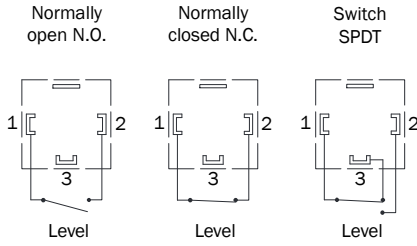
Size	A	H	Type	B	C
LVK10	76	108	LVK.....M10	M10	10,5
LVK20	127	159	LVK.....M12	M12	12,5
LVK30	254	286			

Weight (Kg)

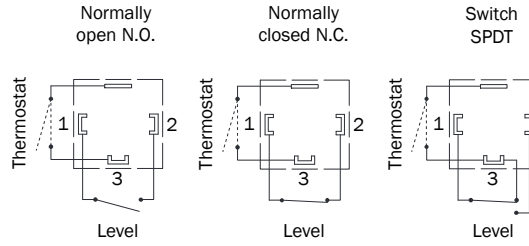
TV12	0,100	Kit Sensor thermometer + Screw M12
------	-------	------------------------------------

Combination of available electrical contacts

Electrical contact with no liquid

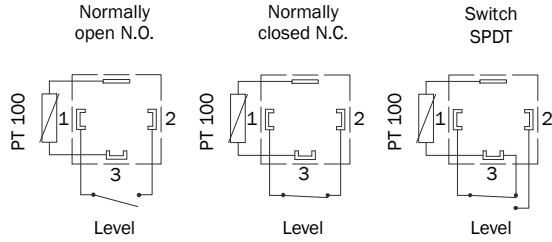


Electrical contact with no liquid + thermostat

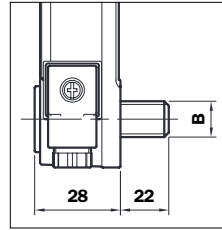


Available thermostated contact N.C. - N.O. in both setups

Electrical contact with no liquid + PT 100



Dimension screw + electrical contact + thermostated or PT 100



Thermostat electrical specifications

Voltage: 250 V Switchable
 Frequency: 50 Hz
 Load values: 4.0 A. $\cos \varphi$ 0.6 (IMOT)
 6.3 A. $\cos \varphi$ 1 (IN)
 Max load: 10 A. $\cos \varphi$ 1
 Switching temperature: 50°C - 60°C - 70°C
 Tolerances: $\pm 5^\circ\text{C}$

Electrical specifications

Contact with no liquid

	N.O. N.C.	Switch
D.C. Switchable Power	40 W	20 W
D.C. current intensity - A.C.	40 V.A.	-
Switchable voltage.	2 A	1 A
Voltage switchable	230 V	150 V

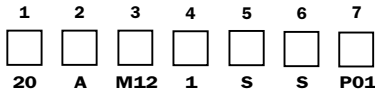
Protection degree: IP65

Ordering information

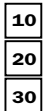
Level indicator

LVK

Example: LVK



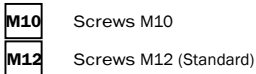
1 - Size



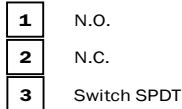
2 - Seal



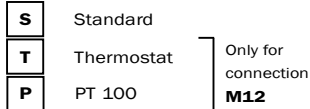
3 - Connection



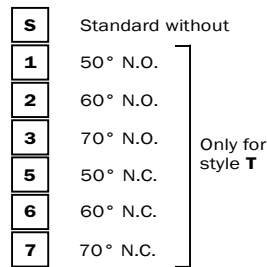
4 - Electrical contacts with no liquid



5 - Style



6 - Thermostat



8 - Options



Accessories/Options*

TV12	Kit w/ Sensor thermometer Screw M12	M12 X	Kit w/ Screws M12 stainless steel AISI 316
M10 X	Kit w/Screws M10 stainless steel AISI 316	02050432	Kit w/FPM seals

* All the accessories are supplied separately from code LVK