

MPF Multiport



Maximum pressure 8 bar
Flow rates to 750 l/ min

Technical data

Filter housing (Materials)

- Head: Aluminium
- Cover: Nylon (only for: MPF 020-030-100-104-110)
Aluminium (all the other)
- Bowl: Nylon

Pressure

- Working pressure: 8 bar

Temperature

- From -25°C to +110°C

Bypass valve

- Opening pressure 1.75 bar \pm 10%
- Opening pressure 3 bar \pm 10%

Δp Elements type

- Series N and H elements: 10 bar
- Oil flow from outside to inside.

Seals

- Standard NBR series A
- Optional FPM series V

MPF FILTERS ARE PROVIDED FOR VERTICAL MOUNTING

Weights (kg)

Length	1	2	3	4
• MPF 020	0,30	-	-	-
• MPF 030	0,40	-	-	-
• MPF 100	0,61	0,64	0,67	0,74
• MPF 104	0,82	0,96	1,02	1,25
• MPF 110	0,64	0,68	0,71	0,78
• MPF 181	2,20	3,00	-	-
• MPF 182	2,30	3,10	-	-
• MPF 184	2,55	3,45	-	-
• MPF 191	-	3,00	-	-
• MPF 192	-	3,10	-	-
• MPF 194	-	3,45	-	-
• MPF 400	3,35	3,65	3,90	-
• MPF 450-451	3,95	4,25	4,50	-
• MPF 750	6,30	-	-	-

Volumes (dm³)

Length	1	2	3	4
• MPF 020	0,26	-	-	-
• MPF 030	0,29	-	-	-
• MPF 100	0,64	0,85	1,20	1,65
• MPF 104	0,64	0,85	1,20	1,65
• MPF 181	2,50	4,00	-	-
• MPF 182	2,50	4,00	-	-
• MPF 184	2,65	4,45	-	-
• MPF 191	-	4,25	-	-
• MPF 192	-	4,25	-	-
• MPF 194	-	4,45	-	-
• MPF 400	3,70	4,60	5,40	-
• MPF 450-451	3,70	4,60	5,40	-
• MPF 750	8,45	-	-	-

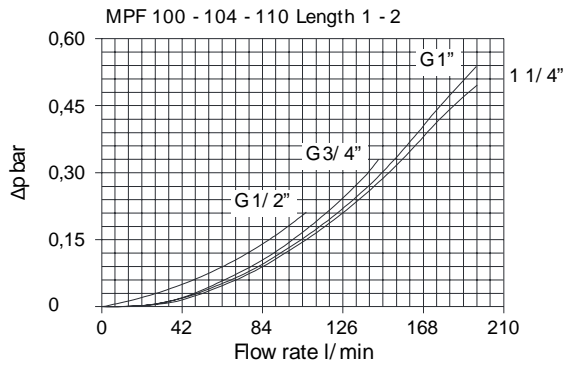
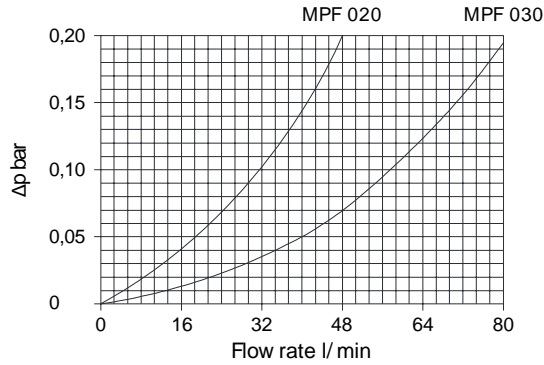
Compatibility (to ISO 2943)

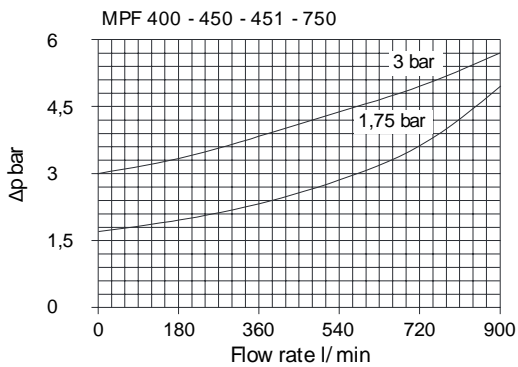
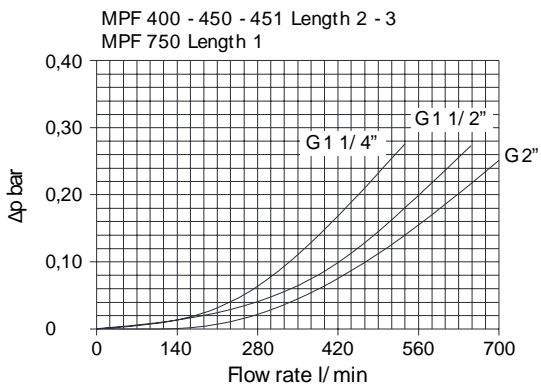
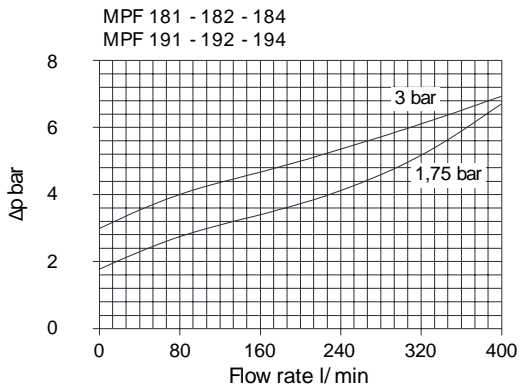
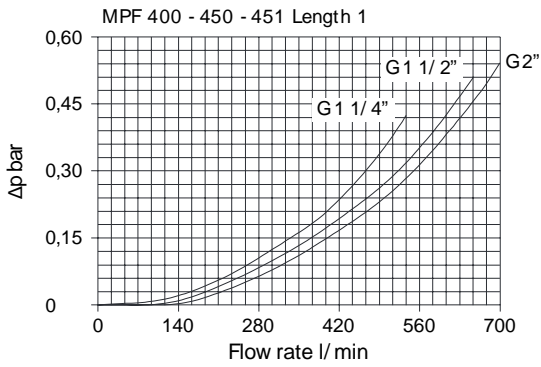
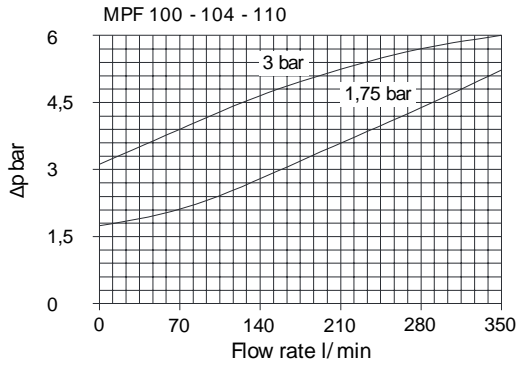
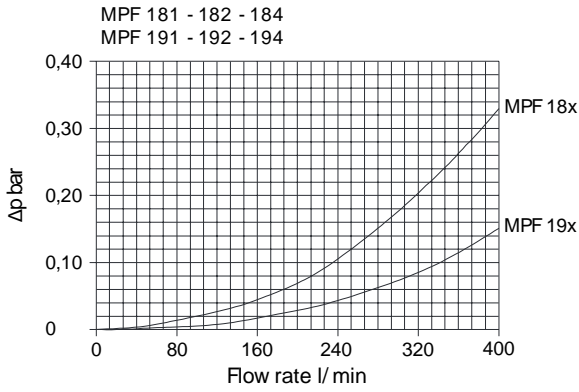
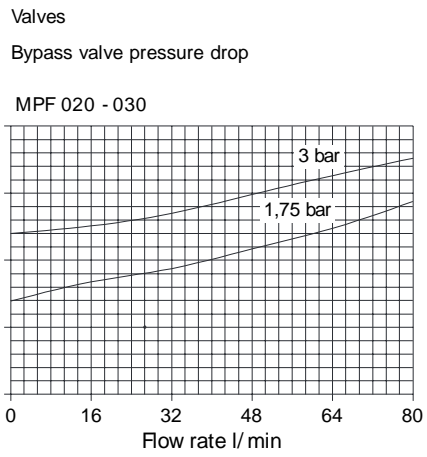
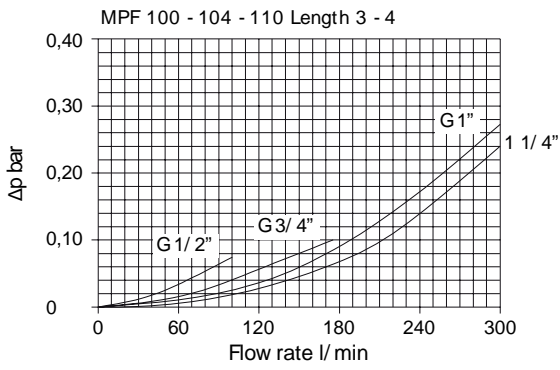
- Housings compatible with:
Mineral oils, synthetic fluids.
Aqueous emulsions, water and glycol
(series W required).
- The filter elements are compatible with:
Mineral oils, synthetic fluids.
Aqueous emulsions, water and glycol
(series W required).
- NBR seals series A, compatible with:
Mineral oils, synthetic fluids.
Aqueous emulsions, water and glycol.
- FPM seals V series, compatible with:
Synthetic fluids type HS-HFDR-HFDS-HFDU

Filter housings Δp pressure drop

The curves are plotted utilising mineral oil with density of 0.86 kg/dm³ to ISO 3968.

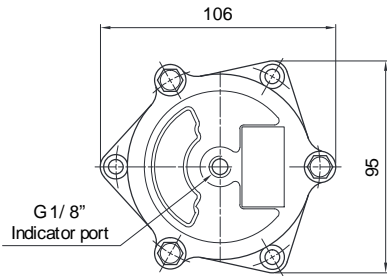
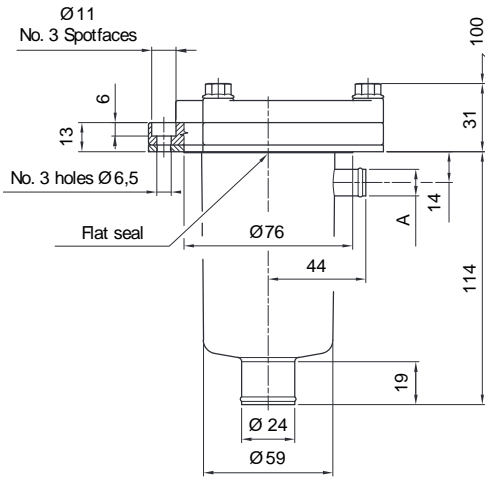
Δp varies proportionally with density.



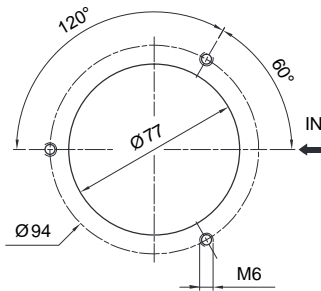


Dimensions

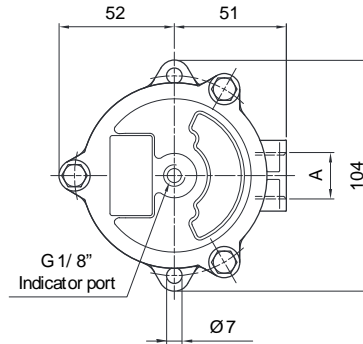
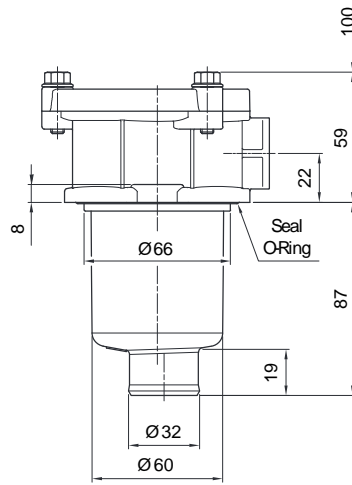
MPF 020



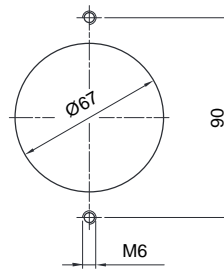
Holes on the tank



MPF 030



Holes on the tank



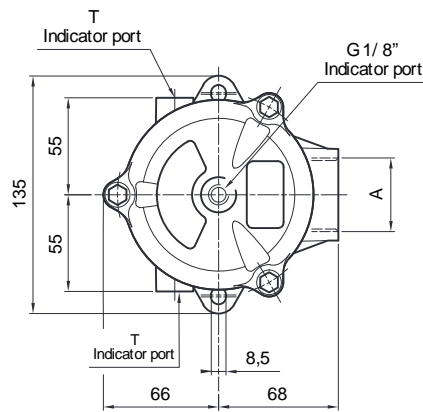
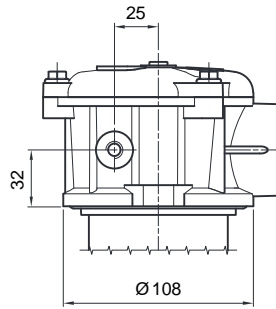
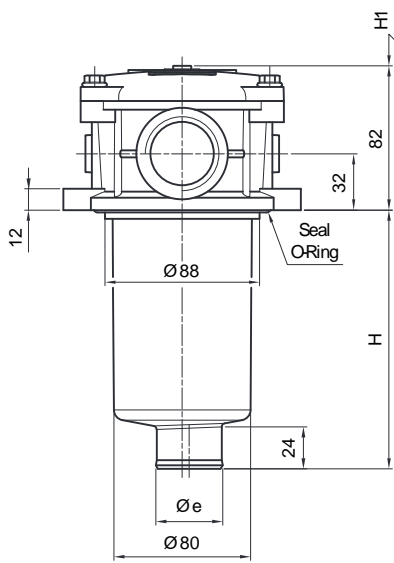
MPF 020
Connection

Type	A
P1	Hbse barb - $\varnothing 12$

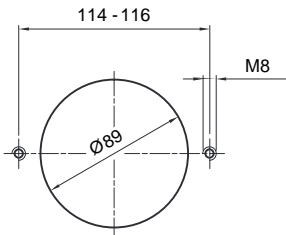
MPF 030
Thread connections

Type	A
G1	G1/2"
G4	1/2" NPT
G7	SAE8 - 3/4" - 16 UNF

MPF 100



Holes on the tank



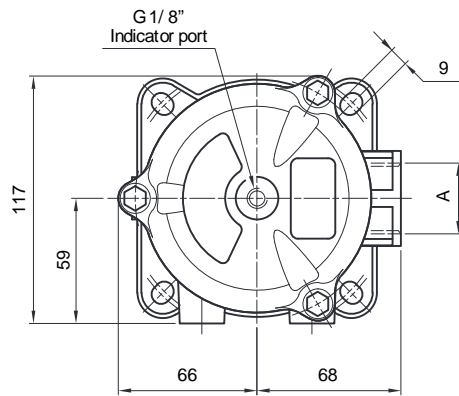
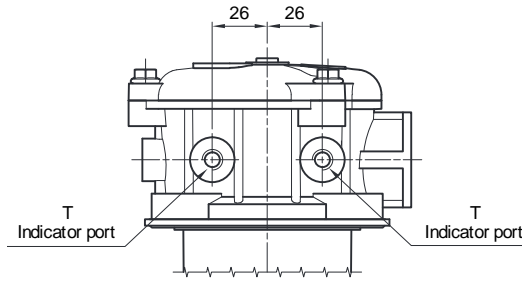
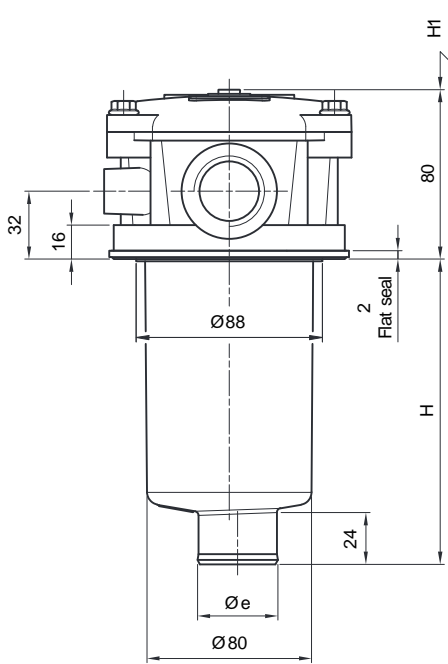
Filter Length	H mm	H1 mm	Øe mm
1	99	120	38
2	146	170	38
3	224	250	46,5
4	326	350	46,5

T indicator port
G1/4" - 1/4" NPT
ON REQUEST

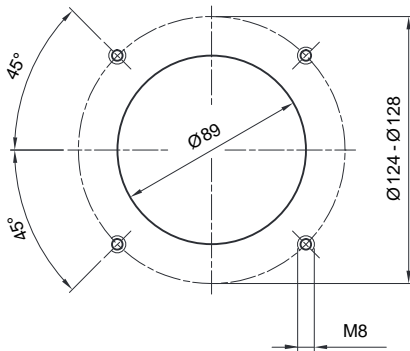
Thread connections

Type 1	T	Type 2	T	A
G1		C1	G1/8"	G1/2"
G2		C2	G1/8"	G3/4"
G3		C3	G1/8"	G1"
G10		C10	G1/8"	G1 1/4"
G4	Indicator port not machined	C4	1/8" NPT	1/2" NPT
G5		C5	1/8" NPT	3/4" NPT
G6		C6	1/8" NPT	1" NPT
G11		C11	1/8" NPT	1 1/4" NPT
G7		C7	1/8" NPT	SAE8 - 3/4" - 16 UNF
G8		C8	1/8" NPT	SAE12 - 1 1/16" - 12 UN
G9		C9	1/8" NPT	SAE16 - 1 5/16" - 12 UN
G12		C12	1/8" NPT	SAE20 - 1 5/8" - 12 UN

MPF 104



Holes on the tank



Filter Length	H mm	H1 mm	Øe mm
1	103	120	38
2	150	170	38
3	228	250	46,5
4	330	350	46,5

Thread connections

Type 1	T	Type 2	T	A
G1	Indicator port not machined	C1	G1/8"	G1/2"
G2		C2	G1/8"	G3/4"
G3		C3	G1/8"	G1"
G4		C4	1/8" NPT	1/2" NPT
G5		C5	1/8" NPT	3/4" NPT
G6		C6	1/8" NPT	1" NPT
G7		C7	1/8" NPT	SAE8-3/4"-16 UNF
G8		C8	1/8" NPT	SAE12-1 1/16"-12 UN
G9		C9	1/8" NPT	SAE16-1 5/16"-12 UN

MPF 110



Multiport
Standard
Single In Port



Multiport
Double In Port
Option: Double Indicator Port

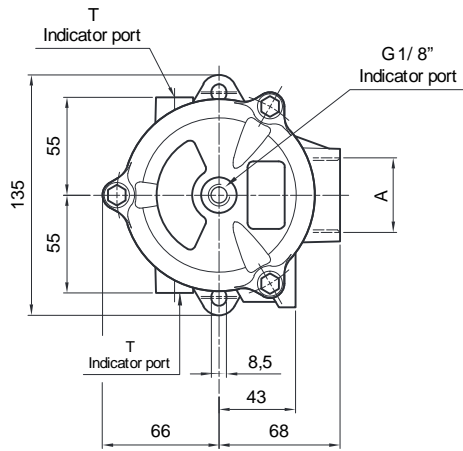
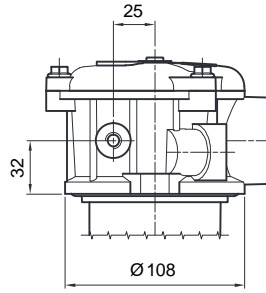
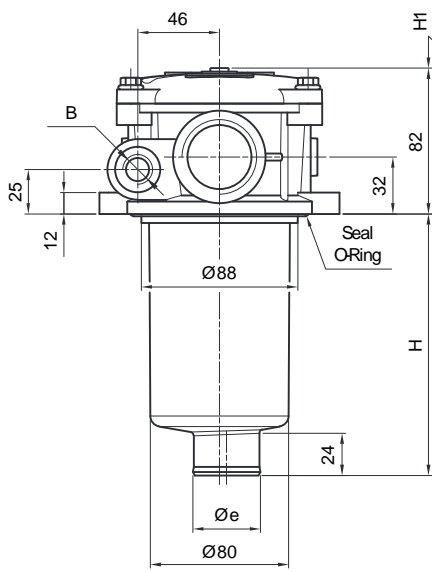


Multiport
Double In Port
Drain Port
Option: Indicator Port

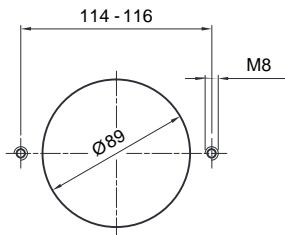


Multiport
Double In Port
Double Drain Port

MPF 110



Holes on the tank



Thread connections A

Type	T	A
G1	G1/8"	G1/2"
G2	G1/8"	G3/4"
G3	G1/8"	G1"
G10	G1/8"	G1 1/4"
G4	1/8" NPT	1/2" NPT
G5	1/8" NPT	3/4" NPT
G6	1/8" NPT	1" NPT
G11	1/8" NPT	1 1/4" NPT
G7	1/8" NPT	SAE8-3/4"-16 UNF
G8	1/8" NPT	SAE12-1 1/16"-12 UN
G9	1/8" NPT	SAE16-1 5/16"-12 UN
G12	1/8" NPT	SAE20-1 5/8"-12 UN

Filter Length	H mm	H1 mm	Øe mm
1	99	120	38
2	146	170	38
3	224	250	46,5
4	326	350	46,5

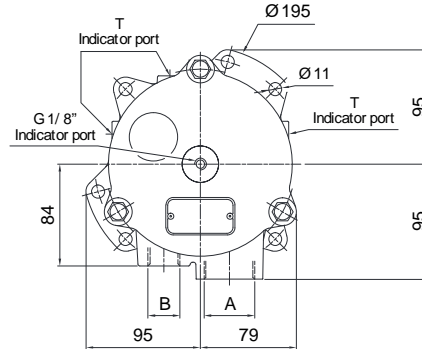
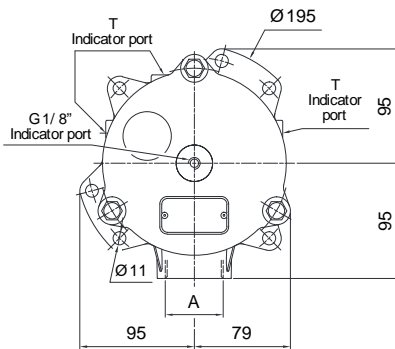
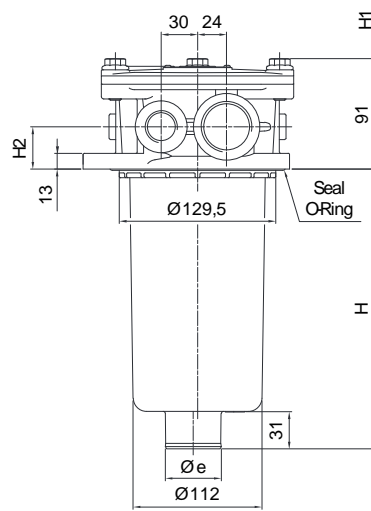
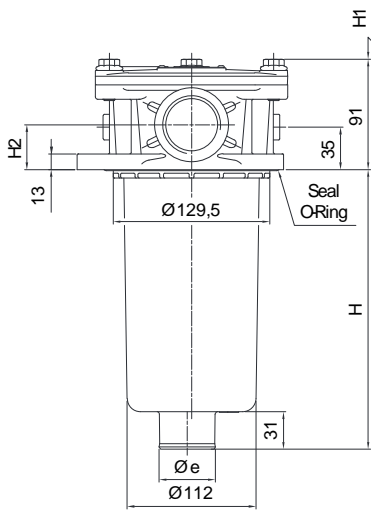
T indicator port
G1/4" - 1/4" NPT
ON REQUEST

Thread connections A	Thread connections B	
	1	2
G1 - G2 - G3 - G10	G3/8"	G1/2"
G4 - G5 - G6 - G11	3/8" NPT	1/2" NPT
G7 - G8 - G9 - G12	SAE 6-9/16"-18 UNF	SAE 8-3/4"-16 UNF

MPF 181 - 191



MPF 182 - 192



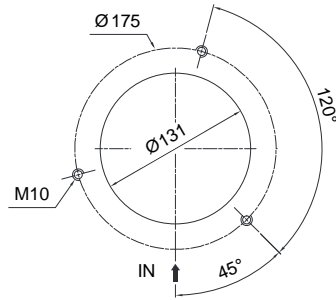
2 option holes on the tank

MPF	Filter Length	H mm	H1 mm	Øe mm
181 - 182	1	233	255	47
	2	445	475	47
191 - 192	2	445	475	50

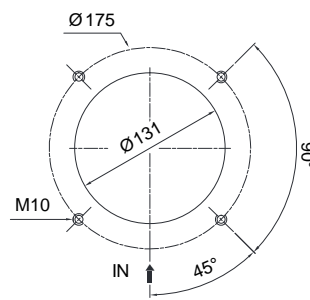
MPF 181 - 191 Thread connections A

Type 1	T	Type 2	T	A	H2
G1	Indicator port not machined	C1	G1/8"	G1 1/4"	35
G4		C4	1/8" NPT	1 1/4" NPT	35
G7		C7	1/8" NPT	SAE20-1 5/8" -12 UN	35
G2		C2	G1/8"	G1 1/2"	37
G5		C5	1/8" NPT	1 1/2" NPT	37
G8		C8	1/8" NPT	SAE24-1 7/8" -12 UN	37

3 holes assembly



4 holes assembly



MPF 182 - 192 Thread connections A

Type 1	T	Type 2	T	A	H2
G1	Ind. port not mach.	C1	G1/8"	G1 1/4"	35
G4		C4	1/8" NPT	1 1/4" NPT	35
G7		C7	1/8" NPT	SAE20-1 5/8" -12 UN	35

Thread connections A	Thread connections B (only for MPF 182 - 192)	
	1	2
G1 - C1	G1/2"	G3/4"
G4 - C4	1/2 NPT	3/4" NPT
G7 - C7	SAE 8-3/4" -16 UNF	SAE 12-1 1/16" -12 UN

T indicator port
G1/4" - 1/4" NPT
ON REQUEST

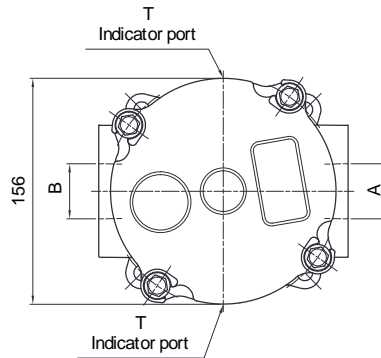
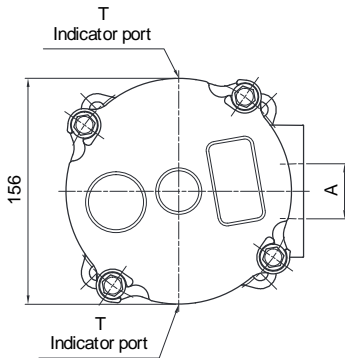
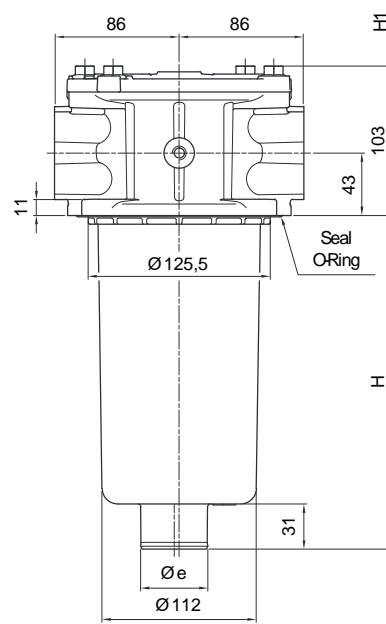
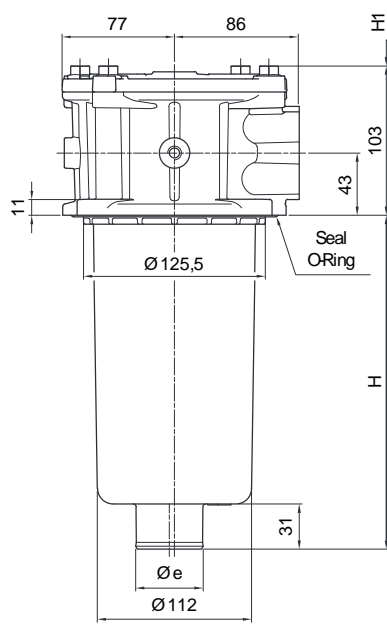
MPF 184 - 194

1 connection port

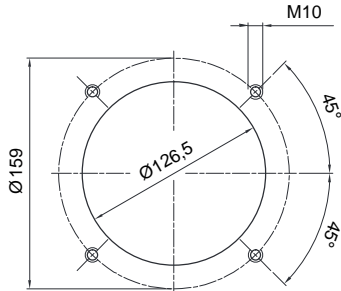


MPF 184 - 194

2 connection port



Holes on the tank



MPF	Filter Length	H mm	H1 mm	Øe mm
184	1	230	260	47
	2	442	480	47
194	2	441	480	50

Thread connections

Type	A		T
G1	G1 1/4"	-	G1/8"
G13	G1 1/2"	-	G1/8"
G4	1 1/4" NPT	-	1/8" NPT
G15	1 1/2" NPT	-	1/8" NPT
G7	SAE20-1 5/8" -12 UN	-	1/8" NPT
G10	SAE24-1 7/8" -12 UN	-	1/8" NPT

Type	A	B	T
G2	G1 1/4"	G1 1/4"	G1/8"
G14	G1 1/2"	G1 1/4"	G1/8"
G5	1 1/4" NPT	1 1/4" NPT	1/8" NPT
G16	1 1/2" NPT	1 1/4" NPT	1/8" NPT
G8	SAE20-1 5/8" -12 UN	SAE20-1 5/8" -12 UN	1/8" NPT
G11	SAE24-1 7/8" -12 UN	SAE20-1 5/8" -12 UN	1/8" NPT

Flange connections*

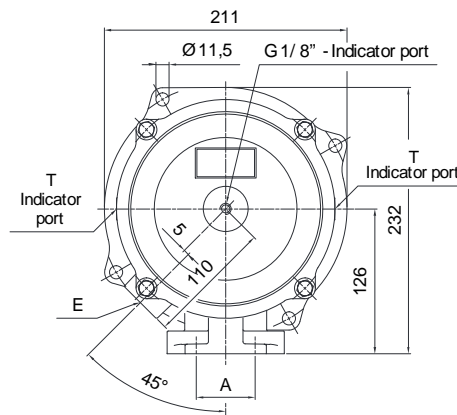
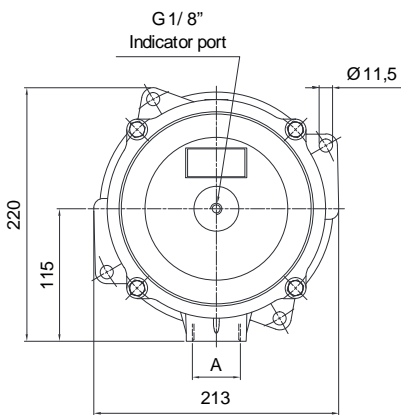
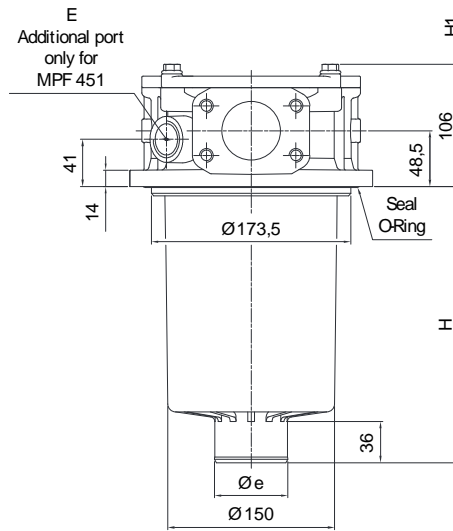
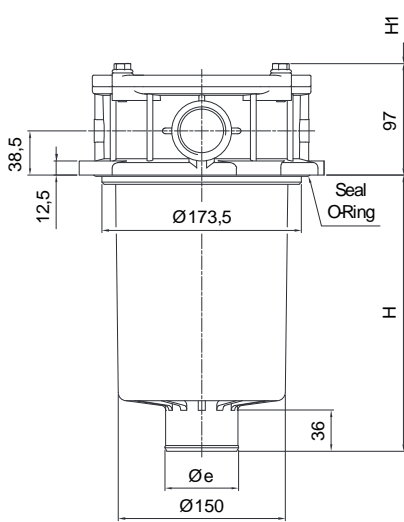
Type	A		T
F1	1 1/2" SAE3000 psi/M	-	G1/8"
F2	1 1/2" SAE3000 psi/UNC	-	1/8" NPT

Type	A	B	T
F3	1 1/2" SAE3000 psi/M	1 1/2" SAE3000 psi/M	G1/8"
F4	1 1/2" SAE3000 psi/UNC	1 1/2" SAE3000 psi/UNC	1/8" NPT

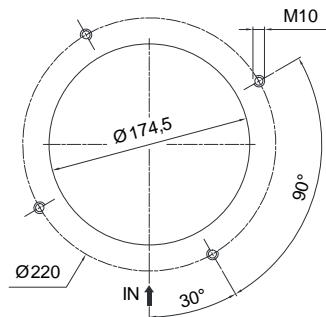
* Connections table "DN - SAE flange" see page 5

MPF 400

MPF 450 - 451



Holes on the tank



MPF 400

Thread connections

Type	A
G1	G1 1/4"
G2	G1 1/2"
G3	G2"
G4	1 1/4" NPT
G5	1 1/2" NPT
G6	2" NPT
G7	SAE20-1 5/8" -12 UN
G8	SAE24-1 7/8" -12 UN
G9	SAE32-2 1/2" -12 UN

MPF 400 - 450 - 451

Filter Length	H mm	H1 mm	Øe mm
1	180	210	51
2	240	270	64
3	290	315	64

MPF 450 - 451

Thread connections

Type	A	E ⁽¹⁾	T
G1	G2"	G3/4"	G1/8"
G4	2" NPT	3/4" NPT	1/8" NPT
G7	SAE32-2 1/2" -12 UN	SAE12	1/8" NPT

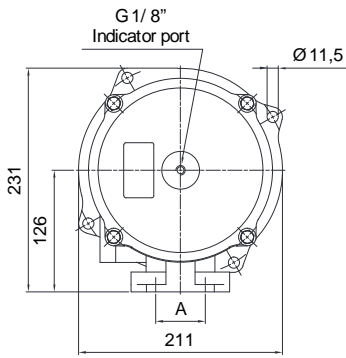
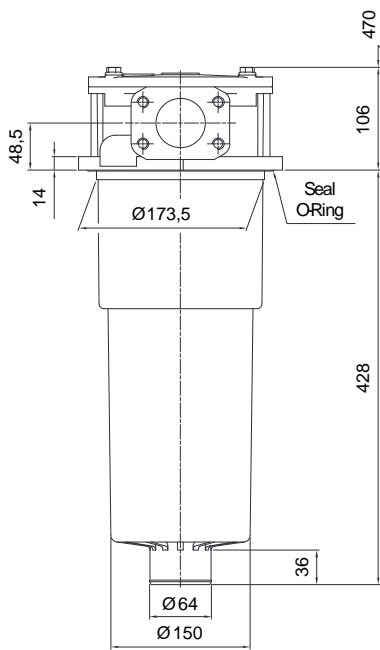
Flange connections MPF 450 - 451⁽²⁾

Type	A	E ⁽¹⁾	T
F1	2" SAE3000 psi/M	G3/4"	G1/8"
F2	2" SAE3000 psi/LNC	3/4" NPT	1/8" NPT

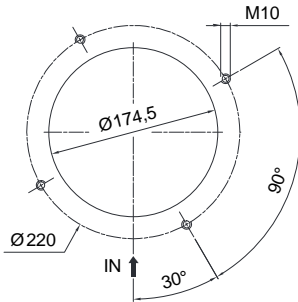
(1) Additional port only for MPF 451

(2) Connections table "DN - SAE flange" see page 5

MPF 750



Holes on the tank



Thread connections

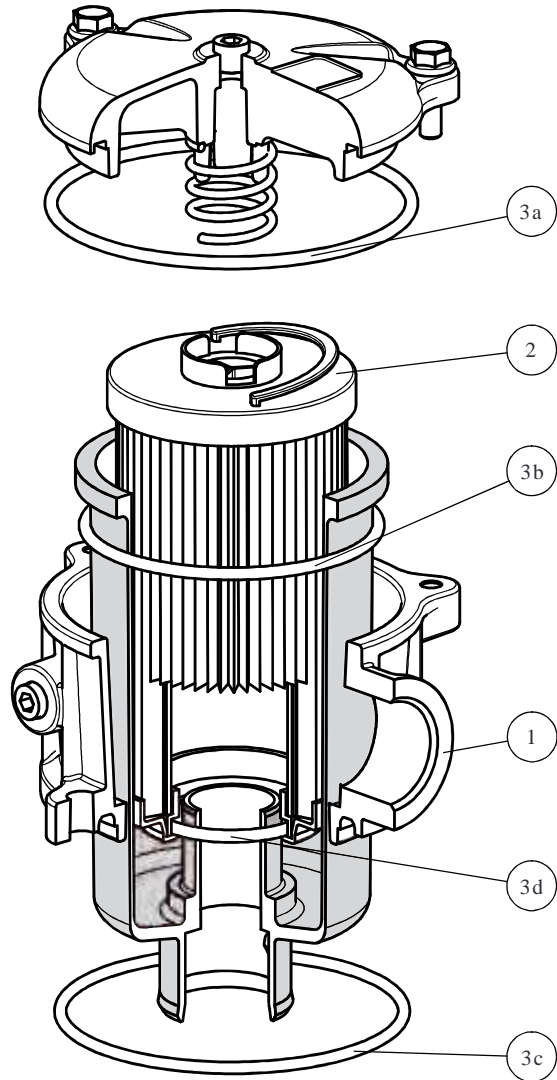
Type	A
G1	G2"
G4	2" NPT
G7	SAE32-2 1/2" -12 UN

Flange connections*

Type	A
F1	2" SAE3000 psi/M
F2	2" SAE3000 psi/LNC

* Connections table "DN -SAE flange"
see page 5

Spare parts



Spare parts

		FILTER Series MPF								
Item	Description	Qty	020		030		100 - 110		104	
1	Filter assembly	1	See order table							
2	Filter element	1	See order table							
3	Seal Kit	1	NBR 02050438	FPM 02050439	NBR 02050055	FPM 02050056	NBR 02050057	FPM 02050058	NBR 02050350	FPM 02050408
3a	Cover seal	1	O-R 174 Ø71,44 x 3,53		O-R 174 Ø71,44 x 3,53		O-R 4387 Ø98,02 x 3,53		O-R 4387 Ø98,02 x 3,53	
3b	Bowl seal	1	-		O-R 3225 Ø56,82 x 2,62		O-R 4312 Ø78,97 x 3,53		O-R 4312 Ø78,97 x 3,53	
3c	Head seal	1	01026335	01026336	O-R 3275 Ø69,52 x 2,62		O-R 6362 Ø91,44 x 5,34		01026256	01026286
3d	Filter element seal	1	O-R 3093 Ø23,47 x 2,62		O-R 3093 Ø23,47 x 2,62		Length 1-2 O-R 4112 Ø28,17 x 3,53	Length 1-2 O-R 4112 Ø28,17 x 3,53		
							Length 3-4 O-R 4162 Ø40,86 x 3,53	Length 3-4 O-R 4162 Ø40,86 x 3,53		

		FILTER Series MPF								
Item	Description	Qty	181 - 182		184		191 - 192		194	
1	Filter assembly	1	See order table							
2	Filter element	1	See order table							
3	Seal Kit	1	NBR 02050059	FPM 02050060	NBR 02050455	FPM 02050456	NBR 02050457	FPM 02050458	NBR 02050459	FPM 02050460
3a	Cover seal	1	O-R 4537 Ø136,10 x 3,53		O-R 4512 Ø129,80 x 3,53		O-R 4537 Ø136,10 x 3,53		O-R 4512 Ø129,80 x 3,53	
3b	Bowl seal	1	O-R 4425 Ø107,50 x 3,53		O-R 4425 Ø107,50 x 3,53		O-R 4425 Ø107,50 x 3,53		O-R 4425 Ø107,50 x 3,53	
3c	Head seal	1	O-R 6535 Ø135,89 x 5,34		O-R 210 Ø133,40 x 5,34		O-R 6535 Ø135,89 x 5,34		O-R 210 Ø133,40 x 5,34	
3d	Filter element seal	1	O-R 4162 Ø40,86 x 3,53		O-R 4162 Ø40,86 x 3,53		O-R Metric Ø50 x 4		O-R Metric Ø50 x 4	

		FILTER Series MPF						
Item	Description	Qty	400		450 - 451		750	
1	Filter assembly	1	See order table					
2	Filter element	1	See order table					
3	Seal Kit	1	NBR 02050061	FPM 02050062	NBR 02050461	FPM 02050462	NBR 02050106	FPM 02050107
3a	Cover seal	1	O-R 4675 Ø171 x 3,53		O-R 4675 Ø171 x 3,53		O-R 4675 Ø171 x 3,53	
3b	Bowl seal	1	O-R 221 Ø149,20 x 5,34		O-R 221 Ø149,20 x 5,34		O-R 221 Ø149,20 x 5,34	
3c	Head seal	1	O-R 233 Ø181 x 6,99		O-R 233 Ø181 x 6,99		O-R 6720 Ø183,51 x 5,34	
3d	Filter element seal	1	Length 1 O-R 155 Ø50,80 x 3,53	Length 1 O-R 155 Ø50,80 x 3,53		Length 1 O-R 155 Ø50,80 x 3,53		O-R 168 Ø65,09 x 3,53
			Length 2-3 O-R 168 Ø65,09 x 3,53	Length 2-3 O-R 168 Ø65,09 x 3,53		Length 2-3 O-R 168 Ø65,09 x 3,53		

Ordering information MPF 020-030-104

Filter assembly	1	2	3	4	5	6	8	9
MPF	<input type="checkbox"/>	<input type="checkbox"/>	<input type="checkbox"/>	<input type="checkbox"/>	<input type="checkbox"/>	<input type="checkbox"/>	<input type="checkbox"/>	<input type="checkbox"/>
Example 1: MPF	104	2	A	G3	A06	H	E	P01
Example 2: MPF	030	1	A	G1	A10	H	B	P01

Filter element	1	2	5	6	7	8	9
MF	<input type="checkbox"/>	<input type="checkbox"/>	<input type="checkbox"/>	<input type="checkbox"/>	<input type="checkbox"/>	<input type="checkbox"/>	<input type="checkbox"/>
Example 1: MF	100	2	A06	H	B	E	P01
Example 2: MF	030	1	A10	H	B		P01

1 - Style

Filter	Filter element
<input type="checkbox"/> 020	<input type="checkbox"/> 030
<input type="checkbox"/> 030	<input type="checkbox"/> 030
<input type="checkbox"/> 104	<input type="checkbox"/> 100

2 - Filter length

<input type="checkbox"/> 020	<input type="checkbox"/> 1
<input type="checkbox"/> 030	<input type="checkbox"/> 1
<input type="checkbox"/> 104	<input type="checkbox"/> 1 <input type="checkbox"/> 2 <input type="checkbox"/> 3 <input type="checkbox"/> 4

3 - Filter seals & Treatment

<input type="checkbox"/> A	NBR
<input type="checkbox"/> V	FPM
<input type="checkbox"/> W*	NBR, head anodized
<input type="checkbox"/> Z*	FPM, head anodized

4 - Connections

MPF 020

Type	A
P1	Hose barb - Ø12

MPF 030

Type	A
G1	G1/2"
G4	1/2" NPT
G7	SAE8 -3/4" -16 UNF

MPF 104

Type 1	T	Type 2	T	A
G1	Indicator port not machined	C1	G1/8"	G1/2"
G2		C2	G1/8"	G3/4"
G3		C3	G1/8"	G1"
G4		C4	1/8" NPT	1/2" NPT
G5		C5	1/8" NPT	3/4" NPT
G6		C6	1/8" NPT	1" NPT
G7		C7	1/8" NPT	SAE8 -3/4" -16 UNF
G8		C8	1/8" NPT	SAE12-1 1/16" -12 UN
G9		C9	1/8" NPT	SAE16-1 5/16" -12 UN

5 - Filter element

<input type="checkbox"/> A03	Inorganic microfibre 3 µ	Absolute filtration β _x (c) ≥ 1000
<input type="checkbox"/> A06	Inorganic microfibre 6 µ	
<input type="checkbox"/> A10	Inorganic microfibre 10 µ	
<input type="checkbox"/> A16	Inorganic microfibre 16 µ	
<input type="checkbox"/> A25	Inorganic microfibre 25 µ	
<input type="checkbox"/> M25	Wire mesh	Nominal Filtration
<input type="checkbox"/> M60	Wire mesh	
<input type="checkbox"/> M90	Wire mesh	
<input type="checkbox"/> P10	Resin impregnated paper	Nominal Filtration
<input type="checkbox"/> P25	Resin impregnated paper	

6 - Δp Filter element

<input type="checkbox"/> N	Δp 10 bar (only for filter element type Pxx and Mxx)
<input type="checkbox"/> H	Δp 10 bar (only for filter element type Axx)
<input type="checkbox"/> W*	Δp 10 bar (only for filter element type Axx and Mxx)

7 - Filter element seals

<input type="checkbox"/> B	NBR
<input type="checkbox"/> V	FPM

8 - By-pass valve

<input type="checkbox"/> E	3 bar
<input type="checkbox"/> B	1.75 bar (Omit in the element code - only for 1.75 bar)

9 - Option

<input type="checkbox"/> P01	MP Filtri standard
------------------------------	--------------------

* Compatible with fluid HFA, HFB, HFC

MP Filtri - The filter functions as described in this bulletin are valid exclusively for original MP Filtri filter elements and replacement parts. All rights reserved

The data in this publication are purely guideline. MP Filtri reserves the right to make changes to the models described herein at any time it deems fit in relation to technical or commercial requirements. The colours of the products shown on the cover are purely guideline. Copyright. All rights reserved.

Ordering information MPF 100-110

Filter assembly MPF	1	2	3	4	5	6	7	9	10
Example 1: MPF	110	2	A	G3	1	A06	H	E	P01
Example 2: MPF	100	1	W	G1		A10	W	B	P01

Filter element MF	1	2	6	7	8	9	10
Example 1: MF	100	2	A06	H	B	E	P01
Example 2: MF	100	1	A10	W	B		P01

1 - Style

Filter	Filter element
<input type="checkbox"/> 100	<input type="checkbox"/> 100
<input type="checkbox"/> 110	<input type="checkbox"/> 100

2 - Filter length

<input type="checkbox"/> 100	<input type="checkbox"/> 1	<input type="checkbox"/> 2	<input type="checkbox"/> 3	<input type="checkbox"/> 4
<input type="checkbox"/> 110	<input type="checkbox"/> 1	<input type="checkbox"/> 2	<input type="checkbox"/> 3	<input type="checkbox"/> 4

3 - Filter seals & Treatment

<input type="checkbox"/> A	NBR
<input type="checkbox"/> V	FPM
<input type="checkbox"/> W*	NBR, head anodized
<input type="checkbox"/> Z*	FPM, head anodized

4 - Connections A

MPF 100

Type 1	T	Type 2	T	A
G1		C1	G1/8"	G1/2"
G2		C2	G1/8"	G3/4"
G3		C3	G1/8"	G1"
G10	Indicator port not machined	C10	G1/8"	G1 1/4"
G4		C4	1/8" NPT	1/2" NPT
G5		C5	1/8" NPT	3/4" NPT
G6		C6	1/8" NPT	1" NPT
G11		C11	1/8" NPT	1 1/4" NPT
G7		C7	1/8" NPT	SAE8-3/4"-16 UNF
G8		C8	1/8" NPT	SAE12-1 1/16"-12 UN
G9		C9	1/8" NPT	SAE16-1 5/16"-12 UN
G12		C12	1/8" NPT	SAE20-1 5/8"-12 UN

MPF 110

Type	T	A
G1	G1/8"	G1/2"
G2	G1/8"	G3/4"
G3	G1/8"	G1"
G10	G1/8"	G1 1/4"
G4	1/8" NPT	1/2" NPT
G5	1/8" NPT	3/4" NPT
G6	1/8" NPT	1" NPT
G11	1/8" NPT	1 1/4" NPT
G7	1/8" NPT	SAE8-3/4"-16 UNF
G8	1/8" NPT	SAE12-1 1/16"-12 UN
G9	1/8" NPT	SAE16-1 5/16"-12 UN
G12	1/8" NPT	SAE20-1 5/8"-12 UN

5 - Connections B (only for MPF 110)

Type	Connections A		
	G1 - G2 - G3 - G10	G4 - G5 - G6 - G11	G7 - G8 - G9 - G12
1	G3/8"	3/8" NPT	SAE6-9/16" 18 UNF
2	G1/2"	1/2" NPT	SAE8-3/4" 16 UNF

6 - Filter element

<input type="checkbox"/> A03	Inorganic microfibre 3 µ	Absolute filtration βx(c) ≥ 1000
<input type="checkbox"/> A06	Inorganic microfibre 6 µ	
<input type="checkbox"/> A10	Inorganic microfibre 10 µ	
<input type="checkbox"/> A16	Inorganic microfibre 16 µ	
<input type="checkbox"/> A25	Inorganic microfibre 25 µ	
<input type="checkbox"/> M25	Wire mesh	Nominal Filtration
<input type="checkbox"/> M60	Wire mesh	
<input type="checkbox"/> M90	Wire mesh	
<input type="checkbox"/> P10	Resin impregnated paper	Nominal Filtration
<input type="checkbox"/> P25	Resin impregnated paper	

7 - Δp Filter element

<input type="checkbox"/> N	Δp 10 bar (only for filter element type Pxx and Mxx)
<input type="checkbox"/> H	Δp 10 bar (only for filter element type Axx)
<input type="checkbox"/> W*	Δp 10 bar (only for filter element type Axx and Mxx)

8 - Filter element seals

<input type="checkbox"/> B	NBR
<input type="checkbox"/> V	FPM

9 - By-pass valve

<input type="checkbox"/> E	3 bar
<input type="checkbox"/> B	1.75 bar (Omit in the element code - only for 1.75 bar)

10 - Option

<input type="checkbox"/> P01	MP Filtri standard
------------------------------	--------------------

* Compatible with fluid HFA, HFB, HFC

MP Filtri - The filter functions as described in this bulletin are valid exclusively for original MP Filtri filter elements and replacement parts. All rights reserved

The data in this publication are purely guideline. MP Filtri reserves the right to make changes to the models described herein at any time it deems fit in relation to technical or commercial requirements. The colours of the products shown on the cover are purely guideline. Copyright. All rights reserved.

Ordering information NEW MPF 181-182-191-192

Filter assembly	1	2	3	4	5	6	7	9	10 a
MPF	<input type="checkbox"/>	<input type="checkbox"/>	<input type="checkbox"/>	<input type="checkbox"/>	<input type="checkbox"/>	<input type="checkbox"/>	<input type="checkbox"/>	<input type="checkbox"/>	<input type="checkbox"/>
Example 1: MPF	181	1	A	G2		A06	H	E	P01
Example 2: MPF	192	2	A	G1	2	P10	N	B	P01

Filter element	1	2	6	7	8	9	10 b
MF	<input type="checkbox"/>	<input type="checkbox"/>	<input type="checkbox"/>	<input type="checkbox"/>	<input type="checkbox"/>	<input type="checkbox"/>	<input type="checkbox"/>
Example 1: MF	180	1	A06	H	B	E	P01
Example 2: MF	190	2	P10	N	B		P01

1 - Style

Filter	Filter element
<input type="checkbox"/> 181	<input type="checkbox"/> 180
<input type="checkbox"/> 182	<input type="checkbox"/> 180
<input type="checkbox"/> 191	<input type="checkbox"/> 190
<input type="checkbox"/> 192	<input type="checkbox"/> 190

2 - Filter length

<input type="checkbox"/> 181	<input type="checkbox"/> 1	<input type="checkbox"/> 2
<input type="checkbox"/> 182	<input type="checkbox"/> 1	<input type="checkbox"/> 2
<input type="checkbox"/> 191		<input type="checkbox"/> 2
<input type="checkbox"/> 192		<input type="checkbox"/> 2

3 - Filter seals & Treatment

<input type="checkbox"/> A	NBR
<input type="checkbox"/> V	FPM
<input type="checkbox"/> W*	NBR, head anodized
<input type="checkbox"/> Z*	FPM, head anodized
<input type="checkbox"/> B	NBR, flat seal on head
<input type="checkbox"/> D	FPM, flat seal on head
<input type="checkbox"/> L	NBR, flat seal on head, head anodized
<input type="checkbox"/> M	FPM, flat seal on head, head anodized

4 - Connections A

MPF 181 - 191

Type 1	T	Type 2	T	A
G1	Indicator port not machined	C1	G1/8"	G1 1/4"
G4		C4	1/8" NPT	1 1/4" NPT
G7		C7	1/8" NPT	SAE20 - 1 5/8" - 12 UN
G2		C2	G1/8"	G1 1/2"
G6		C5	1/8" NPT	1 1/2" NPT
G8		C8	1/8" NPT	SAE24 - 1 7/8" - 12 UN

MPF 182 - 192

Type 1	T	Type 2	T	A
G1	Ind. port not mach.	C1	G1/8"	G1 1/4"
G4		C4	1/8" NPT	1 1/4" NPT
G7		C7	1/8" NPT	SAE20 - 1 5/8" - 12 UN

5 - Connections B (only for MPF 182 - 192)

Type	Connections A		
	G1 - C1	G4 - C4	G7 - C7
1	G1/2"	1/2" NPT	SAE8 - 3/4" - 18 UNF
2	G3/4"	3/4" NPT	SAE12 - 1 1/16" - 12 UN

6 - Filter element

<input type="checkbox"/> A03	Inorganic microfibre 3 μ	Absolute filtration $\beta_x(c) \geq 1000$
<input type="checkbox"/> A06	Inorganic microfibre 6 μ	
<input type="checkbox"/> A10	Inorganic microfibre 10 μ	
<input type="checkbox"/> A16	Inorganic microfibre 16 μ	
<input type="checkbox"/> A25	Inorganic microfibre 25 μ	
<input type="checkbox"/> M25	Wire mesh	Nominal Filtration
<input type="checkbox"/> M60	Wire mesh	
<input type="checkbox"/> M90	Wire mesh	
<input type="checkbox"/> P10	Resin impregnated paper	Nominal Filtration
<input type="checkbox"/> P25	Resin impregnated paper	

7 - Δp Filter element

<input type="checkbox"/> N	Δp 10 bar (only for filter element type Pxx and Mxx)
<input type="checkbox"/> H	Δp 10 bar (only for filter element type Axx)
<input type="checkbox"/> W*	Δp 10 bar (only for filter element type Axx and Mxx)

8 - Filter element seals

<input type="checkbox"/> B	NBR
<input type="checkbox"/> V	FPM

9 - By-pass valve

<input type="checkbox"/> E	3 bar
<input type="checkbox"/> B	1.75 bar (Omit in the element code - only for 1.75 bar)

10 - Option

a) Filter	
<input type="checkbox"/> P01	MP Filtri standard
<input type="checkbox"/> Sxx	Filter assembly with steel extension tube mounted (only for MPF 191-192)
b) Filter element	
<input type="checkbox"/> P01	MP Filtri standard

* Compatible with fluid HFA, HFB, HFC

MP Filtri - The filter functions as described in this bulletin are valid exclusively for original MP Filtri filter elements and replacement parts. All rights reserved

The data in this publication are purely guideline. MP Filtri reserves the right to make changes to the models described herein at any time it deems fit in relation to technical or commercial requirements. The colours of the products shown on the cover are purely guideline. Copyright. All rights reserved.

Ordering information MPF 184-194-400-750

Filter assembly	1	2	3	4	5	6	8	9 a
MPF	<input type="checkbox"/>	<input type="checkbox"/>	<input type="checkbox"/>	<input type="checkbox"/>	<input type="checkbox"/>	<input type="checkbox"/>	<input type="checkbox"/>	<input type="checkbox"/>
Example 1: MPF	184	2	A	G2	A06	H	E	P01
Example 2: MPF	750	1	A	G4	P10	N	B	P01

Filter element	1	2	5	6	7	8	9 b
MF	<input type="checkbox"/>	<input type="checkbox"/>	<input type="checkbox"/>	<input type="checkbox"/>	<input type="checkbox"/>	<input type="checkbox"/>	<input type="checkbox"/>
Example 1: MF	180	2	A06	H	B	E	P01
Example 2: MF	750	1	P10	N	B		P01

1 - Style

Filter	Filter element
<input type="checkbox"/> 184	<input type="checkbox"/> 180
<input type="checkbox"/> 194	<input type="checkbox"/> 190
<input type="checkbox"/> 400 <input type="checkbox"/> 450 <input type="checkbox"/> 451	<input type="checkbox"/> 400
<input type="checkbox"/> 750	<input type="checkbox"/> 750

2 - Filter length

<input type="checkbox"/> 184	<input type="checkbox"/> 1	<input type="checkbox"/> 2
<input type="checkbox"/> 194	<input type="checkbox"/> 1	<input type="checkbox"/> 2
<input type="checkbox"/> 400 <input type="checkbox"/> 450 <input type="checkbox"/> 451	<input type="checkbox"/> 1	<input type="checkbox"/> 2 <input type="checkbox"/> 3
<input type="checkbox"/> 750	<input type="checkbox"/> 1	

3 - Filter seals & Treatment

<input type="checkbox"/> A	NBR
<input type="checkbox"/> V	FPM
<input type="checkbox"/> W*	NBR, head anodized
<input type="checkbox"/> Z*	FPM, head anodized

4 - Connections

MPF 184 - 194

Type	A	B
G1	G1 1/4"	-
G13	G1 1/2"	-
G4	1 1/4" NPT	-
G15	1 1/2" NPT	-
G7	SAE20 -1 5/8" -12 UN	-
G10	SAE24 -1 7/8" -12 UN	-

G2	G1 1/4"	G1 1/4"
G14	G1 1/2"	G1 1/4"
G5	1 1/4" NPT	1 1/4" NPT
G16	1 1/2" NPT	1 1/4" NPT
G8	SAE20 -1 5/8" -12 UN	SAE20 -1 5/8" -12 UN
G11	SAE24 -1 7/8" -12 UN	SAE20 -1 5/8" -12 UN

F1	1 1/2" SAE3000 psi/M	-
F2	1 1/2" SAE3000 psi/UNC	-

F3	1 1/2" SAE3000 psi/M	1 1/2" SAE3000 psi/M
F4	1 1/2" SAE3000 psi/UNC	1 1/2" SAE3000 psi/UNC

MPF 400

Type	A	Type	A
G1	G1 1/4"	G6	2" NPT
G2	G1 1/2"	G7	SAE20 -1 5/8" -12 UN
G3	G2"	G8	SAE24 -1 7/8" -12 UN
G4	1 1/4" NPT	G9	SAE32 -2 1/2" -12 UN
G5	1 1/2" NPT	-	-

MPF 450 - 451 - 750

Type	A	E ⁽¹⁾
G1	G2"	G3/4"
G4	2" NPT	3/4" NPT
G7	SAE32 -2 1/2" -12 UN	SAE12
F1	2" SAE3000 psi/M	G3/4"
F2	2" SAE3000 psi/UNC	3/4" NPT

(1) Additional port only for MPF 451

5 - Filter element

<input type="checkbox"/> A03	Inorganic microfibre	3 μ	Absolute filtration β _x (c) ≥ 1000
<input type="checkbox"/> A06	Inorganic microfibre	6 μ	
<input type="checkbox"/> A10	Inorganic microfibre	10 μ	
<input type="checkbox"/> A16	Inorganic microfibre	16 μ	
<input type="checkbox"/> A25	Inorganic microfibre	25 μ	
<input type="checkbox"/> M25	Wire mesh		Nominal Filtration
<input type="checkbox"/> M60	Wire mesh		
<input type="checkbox"/> M90	Wire mesh		
<input type="checkbox"/> P10	Resin impregnated paper		Nominal Filtration
<input type="checkbox"/> P25	Resin impregnated paper		

6 - Δp Filter element

<input type="checkbox"/> N	Δp 10 bar (only for filter element type Pxx and Mxx)
<input type="checkbox"/> H	Δp 10 bar (only for filter element type Axx)
<input type="checkbox"/> W*	Δp 10 bar (only for filter element type Axx and Mxx)

7 - Filter element seals

<input type="checkbox"/> B	NBR
<input type="checkbox"/> V	FPM

8 - By-pass valve

<input type="checkbox"/> E	3 bar
<input type="checkbox"/> B	1.75 bar (Qmit in the element code - only for 1.75 bar)

9 - Option

a) Filter	
<input type="checkbox"/> P01	MP Filtri standard
<input type="checkbox"/> Sxx	Filter assembly with steel extension tube mounted (only for MPF 194-400-450-451-750)

b) Filter element

<input type="checkbox"/> P01	MP Filtri standard
------------------------------	--------------------

* Compatible with fluid HFA, HFB, HFC

MP Filtri - The filter functions as described in this bulletin are valid exclusively for original MP Filtri filter elements and replacement parts. All rights reserved

The data in this publication are purely guideline. MP Filtri reserves the right to make changes to the models described herein at any time it deems fit in relation to technical or commercial requirements. The colours of the products shown on the cover are purely guideline. Copyright. All rights reserved.