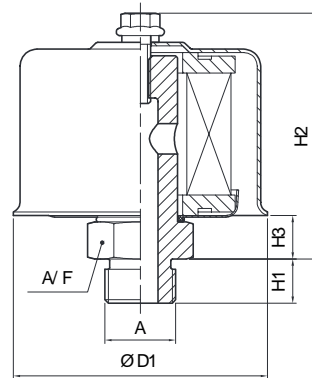


Dimensions



SA (Materials)

- 1 - Screw: Galvanised Steel
- 2 - Washer: Teflon
- 3 - Cover: Steel
- 4 - Filter element: Impregnated paper
- 5 - Ring: Galvanised Steel
- 6 - Seal: NBR
- 7 - Connection: Anodised Aluminium Galvanised Steel

Dimension

Type	D1	H1	H2	H3	A/F (mm)
036	36	13	36,5	9	22
053	53	13	52,5	7	22
075 G1		13			27
075 G2	75	17	68,5	11,5	32
075 G4		15			27
075 G5		20			32
115	115	17	80	11	38
145	145	25	115	13	55
185	185	25	164	23	80

Flow rate with Δp : 0,02 bar

Weight	Type	3 μm 10 μm	
		l $\sqrt{\text{min}}$	
SA 036: 0,080 Kg			
SA 053: 0,150 Kg	036	140	140
SA 075: 0,260 Kg	053	250	250
SA 115: 0,400 Kg	075	350	400
SA 145: 0,590 Kg	115	800	850
SA 145: 0,590 Kg	145	1800	1850
SA 185: 1,220 Kg	185	2300	2500

Connection to reservoir " A "

Type	G1	G2	G3	G4	G5	G6
036	G1/4"	G3/8"	G1/2"	1/4" NPT	3/8" NPT	1/2" NPT
053	G1/4"	G3/8"	-	1/4" NPT	3/8" NPT	-
075	G1/2"	G3/4"	-	1/2" NPT	3/4" NPT	-
115	G1"	-	-	1" NPT	-	-
145	G1 1/2"	-	-	1 1/2" NPT	-	-
185	G2 1/2"	-	-	2 1/2" NPT	-	-

Ordering information

Breather filter

SA 1 2 3 4 5
 Example: SA 075 G4 L10 A P01

Filter element

1 3
 Example: A7 L10

1 - Size

Filter	Filter element
036	A05
053	A5
075	A7
115	A8
145	A10
185	A11

2 - Connection to reservoir

Type	G1	G2	G3	G4	G5	G6
036	G1/4"	G3/8"	G1/2"	1/4" NPT	3/8" NPT	1/2" NPT
053	G1/4"	G3/8"	-	1/4" NPT	3/8" NPT	-
075	G1/2"	G3/4"	-	1/2" NPT	3/4" NPT	-
115	G1"	-	-	1" NPT	-	-
145	G1.1/2"	-	-	1.1/2" NPT	-	-
185	G2.1/2"	-	-	2.1/2" NPT	-	-

3 - Filter element

L03	3 μm - Impregnated paper
L10	10 μm - Impregnated paper
S	Without

4 - Seal

A	NBR
---	-----

5 - Options

P01	MP Filtri standard
-----	--------------------