

Series TAP 114

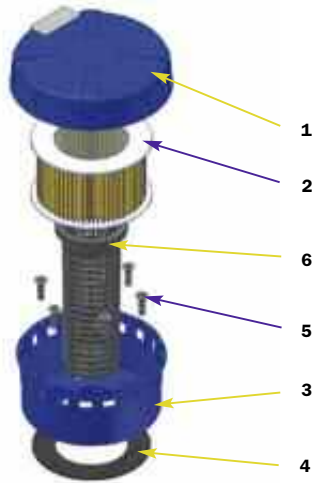
Nylon oil filler and air breather filler caps



**Example
TAP114
Length 1**



**Example
TAP114
Length 2**

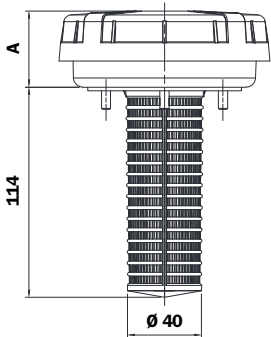


TAP114 (Materials)

- 1 - Cover: Nylon
- 2 - Filter element: Impregnated paper
- 3 - Flange: Nylon
- 4 - Seal: NBR
- 5 - Screws: Galvanised Steel
- 6 - Basket: Nylon

Dimensions

TAP 114



Length	A
1	41
2	56
3	68

Flow rates with Δp : 0,02 bar

Length 1

Filtration	l/min
10 μm	1450

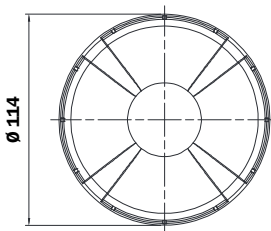
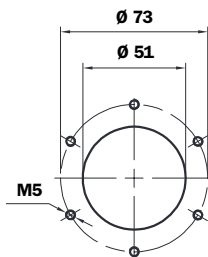
Length 2

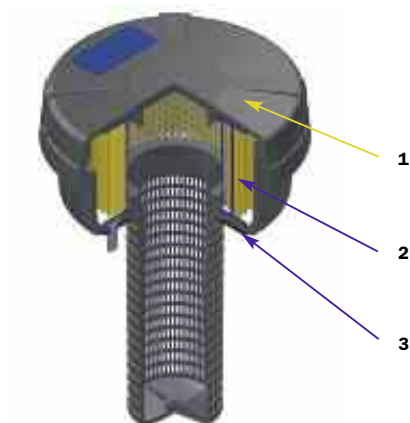
Filtration	l/min
10 μm	1600

Weight

- TAP 114 1: 0,185 Kg
- TAP 114 2: 0,200 Kg

Reservoir holes





TAP 114 spare parts

Item.	Description	Q.ty	Filler cap series TAP 114	
1	Complete filler cap	1	See order table	
2	Filter Element	1	See order table	
3	Seal	1	NBR 01026306	FPM 01026332

Ordering information

Filler cap
TAP114

1	2	3	4	5
<input type="checkbox"/>	<input type="checkbox"/>	<input type="checkbox"/>	<input type="checkbox"/>	<input type="checkbox"/>

Example: TAP114 3 L10 A 1 P01

Filter element
A114

1	2	3
<input type="checkbox"/>	<input type="checkbox"/>	<input type="checkbox"/>

Example: TAP114 3 L10 P01

1 - Length

- 1
- 2
- 3

2 - Filter element

L10 10 µm - Impregnated paper

3 - Seal

A NBR

4 - Basket

1 L= 114 mm

5 - Options

P01 MP Filtri standard

Series TAP 115

Nylon oil filler and air breather filler caps



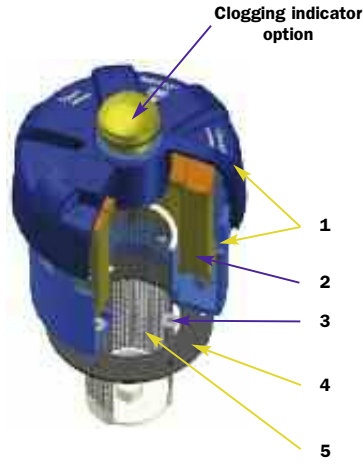
Example
TAP115

Length 1
Without indicator



Example
TAP115

Length 2
With indicator



TAP115 (Materials)

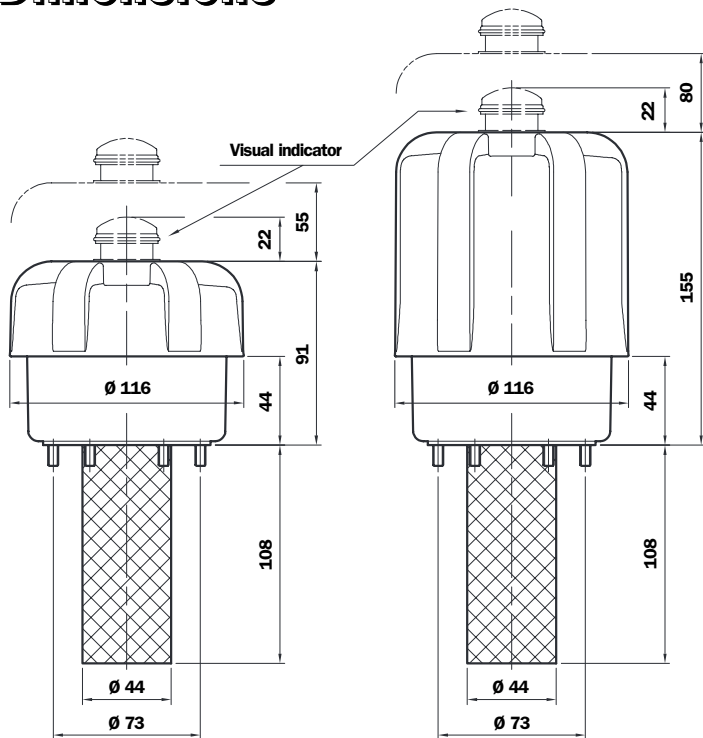
- 1 - Cover/Flange: Nylon
- 2 - Filter element: Microfibre Impregnated paper
- 3 - Seals: NBR
FPM
- 4 - Screws: Galvanised Steel
- 5 - Basket: Galvanised Steel/Nylon

Clogging indicator

Set pressure: - 0,062 bar \pm 10 %

Manual reset

Dimensions



Flow rates with Δp : 0,02 bar

Length 1

Filtration	l/min
3 μ m	1600
10 μ m	2000

Length 2

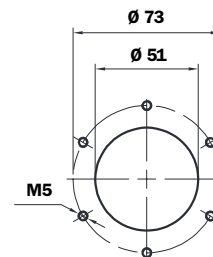
Filtration	l/min
3 μ m	2150
10 μ m	2150

Weight

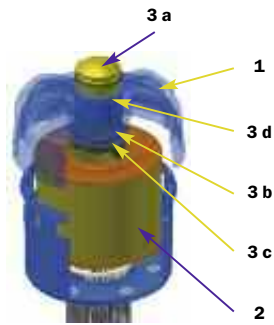
TAP 115 1: 0,460 Kg

TAP 115 2: 0,585 Kg

Reservoir holes



Spare parts



TAP 115 spare parts

Item.	Description	Q.ty	Filler cap series TAP 115	
			NBR 02005187	FPM 02005188
1	Complete filler cap	1	See order table	
2	Filter Element	1	See order table	
3	Indicator kit	1	S62P01	
3a	Visual indicator	1	0-R 3106 Ø 26,64 X 2,62	
3b	Seal	1	01022670	
3c	Indicator securing screw	1	0-R 2112 Ø 28,3 x 1,78	
3d	O-R indicator	1		

Changing the filter element in TAP 115 series filler caps

- 1 Thoroughly clean the filler cap and adjacent parts.
- 2 Unscrew and raise the cover.
- 3 Replace the filter element.
- 4 Screw the cover.



Ordering information

Filler cap	1	2	3	4	5	6	7
TAP115	<input type="checkbox"/>	<input type="checkbox"/>	<input type="checkbox"/>	<input type="checkbox"/>	<input type="checkbox"/>	<input type="checkbox"/>	<input type="checkbox"/>
Example: TAP115	2	F	A03	A	1	B	P01
Filter element	1	3	7				
A115	<input type="checkbox"/>	<input type="checkbox"/>	<input type="checkbox"/>				
Example: TAP115	2	A03	P01				

1 - Length

 1
 2

2 - Connection

 F Flange

3 - Filter element

 A03 3 µm - Microfibre
 L10 10 µm - Impregnated paper

4 - Seal

 A NBR
 V FPM

5 - Basket

 0 Without
 1 L= 120 mm

6 - Clogging indicator

 A Without
 B Clogging indicator

7 - Options

 P01 MP Filtri standard