

**BELLHOUSINGS**

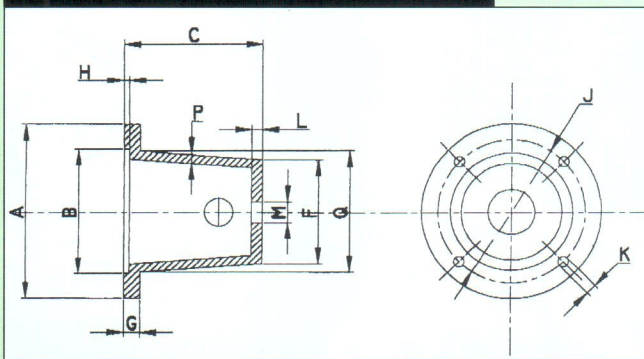
**Characteristics**

- Cast aluminium
- Establishes perfect assembly between an electric motor and hydraulic pump
- Pilot bored or machined on request



Part number:	KW:	HP:	Frame Size:
NDH-10-PLB	00.55 - 0.75 01.10 - 1.50	000.75 - 001.02 001.50 - 002.04	KDX80, D90S D90L
NDH-40-PLB	02.20 - 3.00 04.00	003.00 - 004.08 005.44	DX100L DX112M
NDH-60-PLB	05.50 - 07.50	007.50 - 010.20	DX132S, DX132M
NDH-80-PLB	11.00 - 15.00 18.50 - 22.00	015.00 - 020.40 025.16 - 030.00	DX160M, DX160L DX180L, DX180M
NDH-120-PLB	30.00	040.80	D200L
NDH-130-PLB	37.00 - 45.00	050.32 - 061.20	D225S, D225M
NDH-160-PLB	55.00 - 75.00	074.80 - 102.00	D250S, D250M
NDH-210-PLB	90.00 - 110.00	122.40 - 149.60	D280S, D280M

**ALUMINIUM BELLHOUSINGS**



**Head Office:**

96A Fleming Road  
Meadowdale Ext 2  
Germiston

PO Box 1735  
Edenvale  
1610

Telephone: +27-11-392 3736/7  
Facsimile: +27-11-392-6957

**Cape Town:**

Unit K10,  
Centurion Business Park  
Cnr. Bosmansdam Road &  
Democracy Way  
Prosperity Park  
Milnerton

PO Box 427  
Paarden Eiland  
7420

Telephone: +27-21-552 0462  
+27-21-552 0463  
Facsimile: +27-21-552 0464

**Durban:**

Unit No. 9 Shalee Park  
53 Ebonyfield Road,  
Springfield Park  
PO Box 74181, Rochdale Park,  
4034

Telephone: +27-31-579 1479  
Facsimile: +27-31-579 1443  
+27-31-579 1478

**Hydrasales**



*The descriptions and illustrations in this catalogue are for information only and are not binding.*

Part Number	oA	oB	C	oF	G	H	oJ	oK	L	oM	P	Q
NDH-10-PLB	200	130	95	130	15	4	165	12	14	25	8	135
NDH-40-PLB	250	180	115	155	18	6	215	12	14	25	8	169
NDH-60-PLB	300	230	130	190	18	6	265	15	17	25	10	208
NDH-80-PLB	350	250	170/ 195	215	20	6	300	19	20	25	12	237
NDH-120-PLB	400	300	170	215	20	6	350	19	20	25	13	239
NDH-130-PLB	450	350	220	290	28	8	400	19	27	25	13	314
NDH-160-PLB	550	450	220	290	28	8	500	19	27	25	15	318
NDH-210-PLB	550	450	250	290	28	8	500	19	27	25	15	318