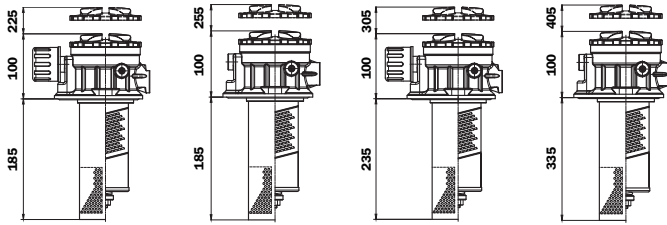


MPH

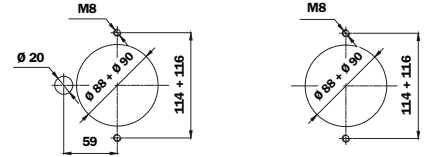


Maximum pressure 10 bar
Flow rates to 3000 l/min

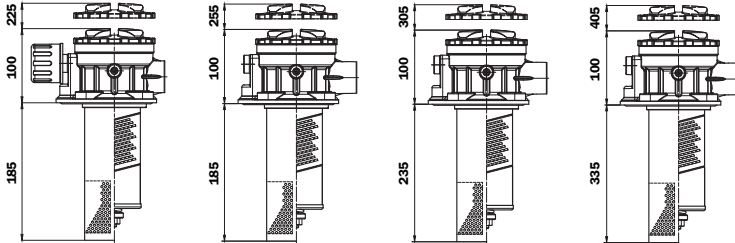
MPH 100



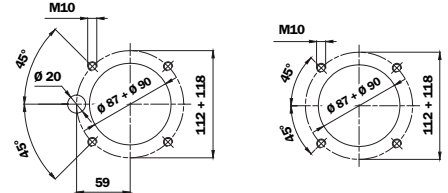
Holes on the tank



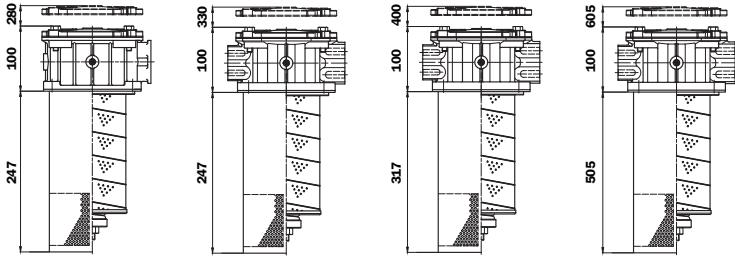
MPH 104



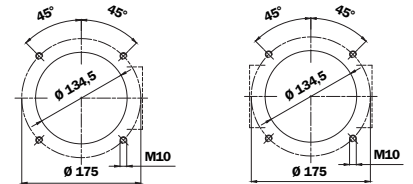
Holes on the tank



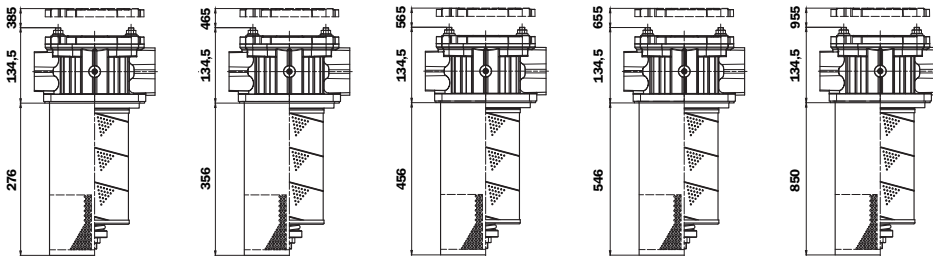
MPH 250



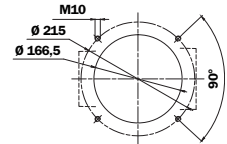
Holes on the tank



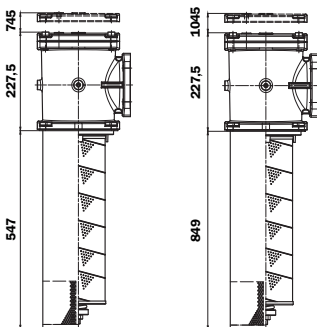
MPH 630



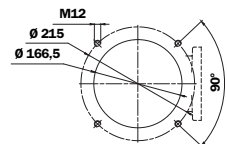
Holes on the tank



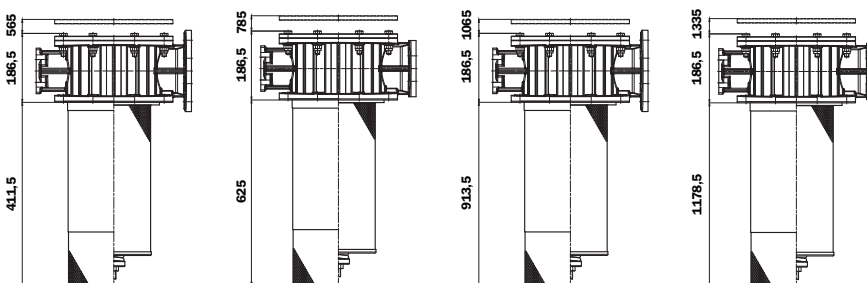
MPH 660



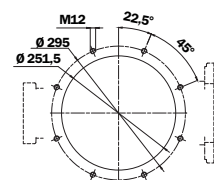
Holes on the tank



MPH 850



Holes on the tank



Recommended maximum flow rate

- Pressure drop of filter assembly equal to Δp 0,5 bar.
- Only for dimension MPH 850 pressure drop of filter assembly equal to Δp 0,4 bar.
- Oil kinematic viscosity 30 mm²/s (cSt).
- Density 0,86 kg/dm³.

Filtration

	Length	A03	A06	A10	A16	A25	P10	P25	M25
MPH100	1	28	30	58	70	118	150	170	400
	2	38	47	100	110	200	230	265	400
	3	50	65	125	145	230	260	300	400
	4	78	95	170	200	300	330	380	400
MPH250	1	90	100	190	200	290	280	300	700
	2	115	140	300	310	450	340	420	700
	3	180	205	390	415	530	450	500	700
	4	240	280	500	515	650	480	550	700
MPH630	1	155	190	350	390	500	450	500	1200
	2	230	250	520	570	700	500	550	1200
	3	320	360	650	690	900	550	600	1200
	4	370	390	900	950	1200	650	700	1200
	5	640	720	1200	1200	1200	900	950	1200
MPH660	4	370	390	1000	1100	1300	650	700	2400
	5	640	720	1400	1500	1600	900	950	2400
MPH850	1	600	700	1000	1100	1600	1000	1100	2500
	2	900	1200	1350	1400	1900	1200	1300	2800
	3	1200	1550	1600	1650	2500	1800	2000	3000
	4	1350	1700	1900	2000	2800	2200	2400	3000

Flow rate l/min

Technical data

MPH

Filter housing (Materials)

- Head: Aluminium + Degreasing (standard version - MPH 100/104/250)
Aluminium + Treatment (standard version - MPH 630/850)
- Anodizing (color: black)
Aluminium painted (color: black - only for MPH 660)
- Cover: Zytel (only for MPH 100/104)
- Phosphating (only for MPH 850 - color: black)
Aluminium painted (color: black - only for MPH 660)
- Diffuser: Zinc plated steel
- Valve: Steel (surfacing treatment/heat treatment)

Pressure

- Working pressure: 10 bar (1 MPa)

Temperature

- From -25°C to +110°C

Bypass valve

- Opening pressure 1,75 - 2,5 bar $\pm 10\%$
(for MPH 850: only 1,75 bar $\pm 10\%$)

Δp Elements type

- Series MR elements: 10 bar
- Oil flow from interior to exterior

Seals

- Standard NBR series A
- Optional FPM series V

Weights (kg)

Length	1	2	3	4	5
• MPH 100/104	1,60	1,70	1,80	2,20	-
• MPH 250	3,60	3,90	4,20	5,60	-
• MPH 630	6,50	7,00	7,40	8,50	10,50
• MPH 660	-	-	-	11,5	14
• MPH 850	32	35	38	42	-

Volumes (dm³)

Length	1	2	3	4	5
• MPH 100/104	1,30	1,30	1,50	2,00	-
• MPH 250	4,40	4,40	5,40	8,00	-
• MPH 630	7,30	9,00	11,0	13	19,2
• MPH 660	-	-	-	14,6	21
• MPH 850	13	16,5	21	25	-

Compatibility

- Housings/Diffuser compatible with:
Mineral oils to ISO 2943 - aqueous emulsions
synthetic fluids, water and glycol.
(Glycol = series W required)
- The filter elements are compatible with:
Mineral oils to ISO 2943, Synthetic fluids
Aqueous emulsions, water and glycol.
- NBR seals series A, compatible with:
Mineral oils to ISO 2943 - aqueous emulsions
synthetic fluids, water and glycol.
- FPM seals series V, compatible with:
Synthetic fluids type HS-HFDR-HFDS-HFDU
To ISO 2943

Filter Element Area

Filter element in stainless steel mesh

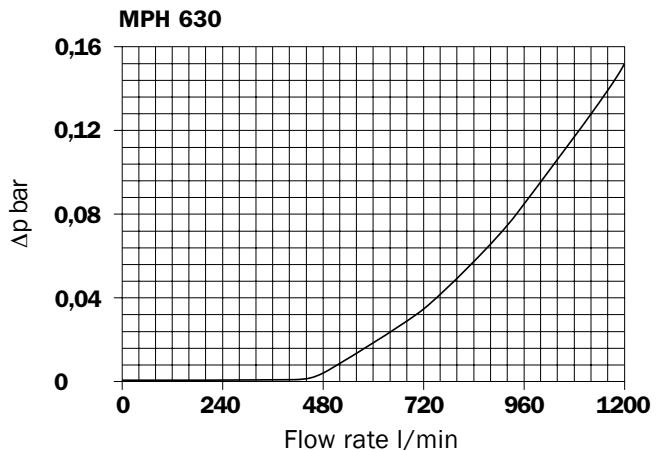
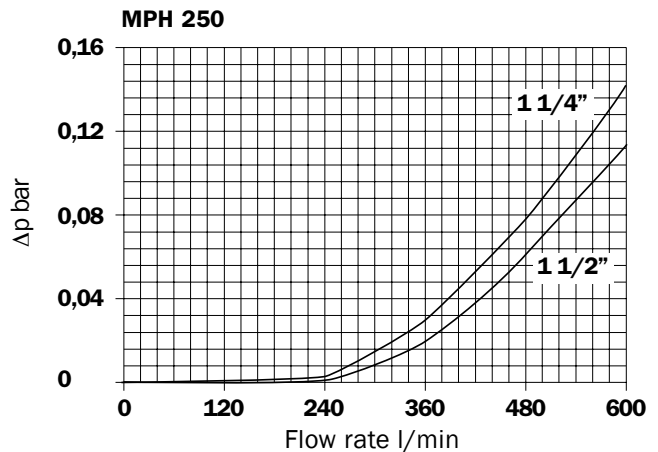
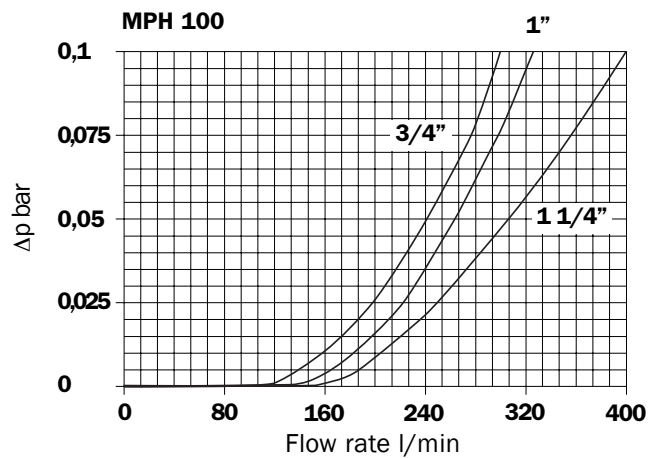
Type	Length				
	1	2	3	4	5
MR 100	653	935	1255	1895	-
MR 250	1197	1637	2253	4048	-
MR 630	2308	3204	4324	5309	8647
MR 850	7368	12287	18538	24574	-

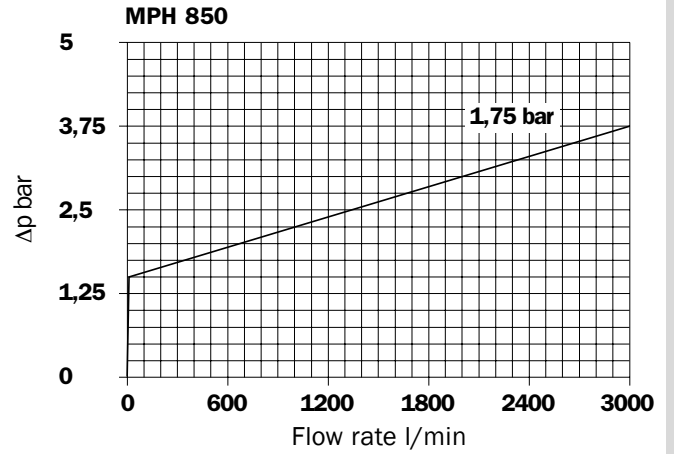
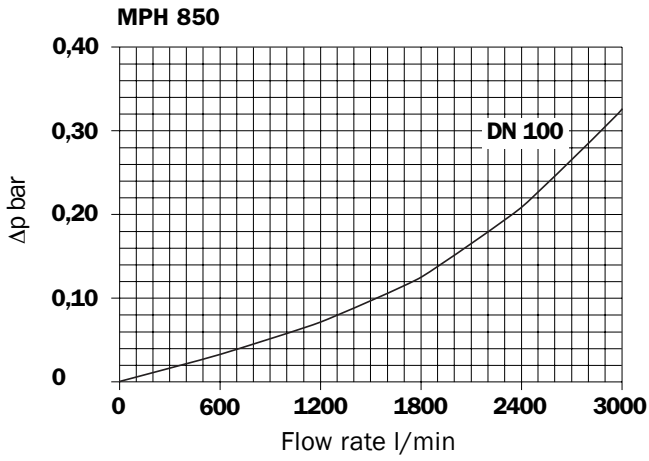
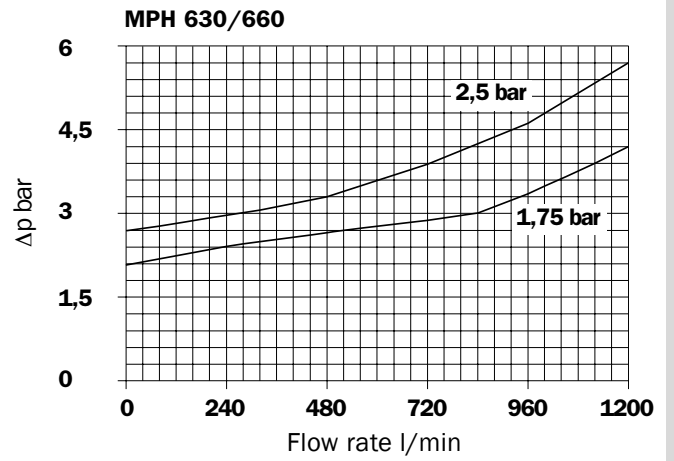
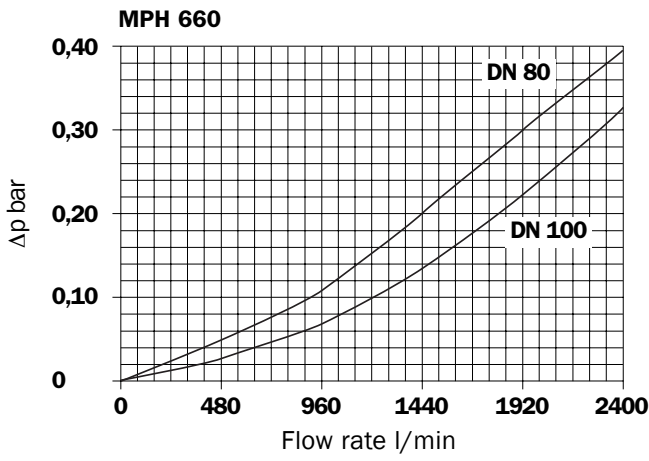
Values expressed in cm²

Filter housings Δp pressure drop

The curves are plotted utilising mineral oil with density of 0.86 kg/dm³ to ISO 3968.

Δp varies proportionally with density.

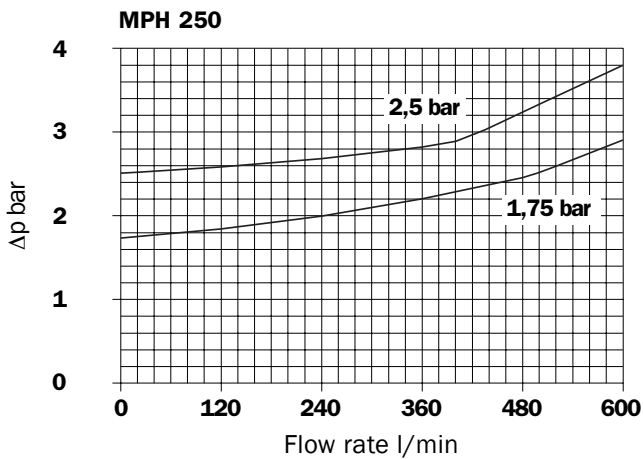
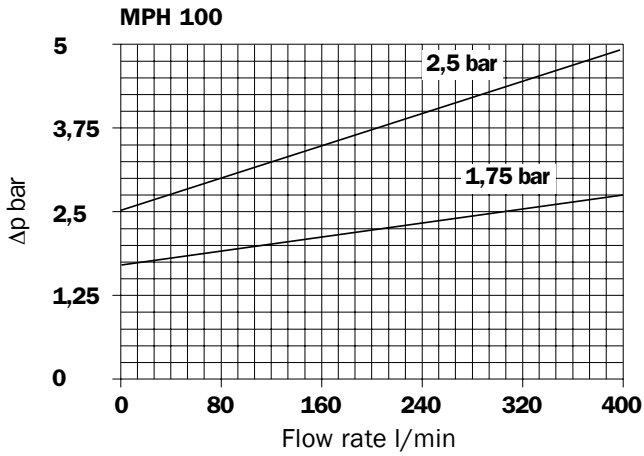




Valves

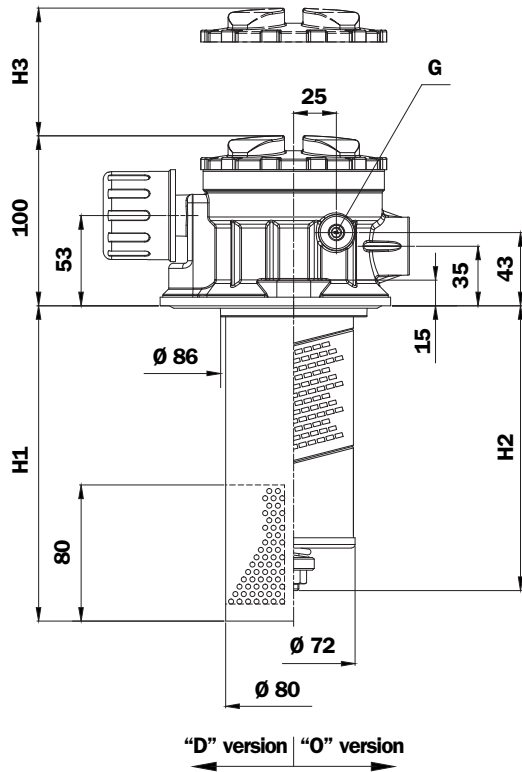
Bypass valve pressure drop

For individual filter:

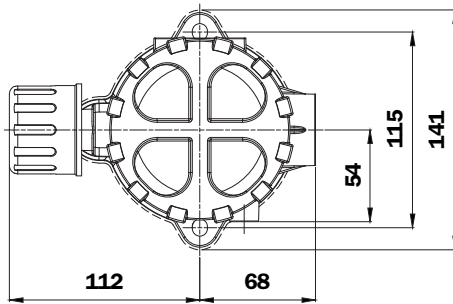
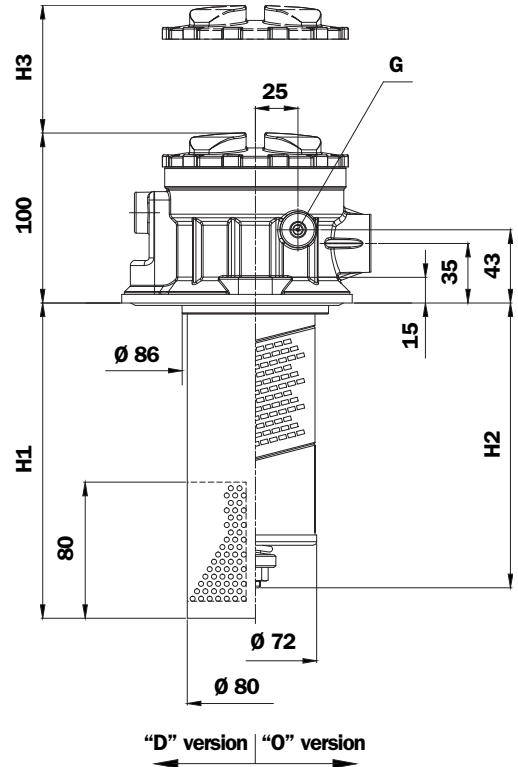


Dimensions

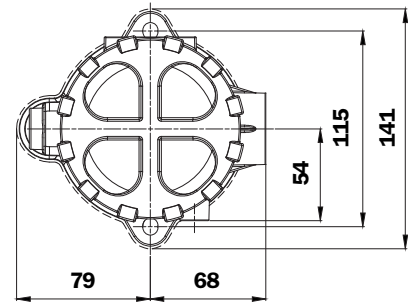
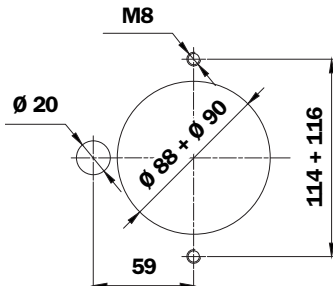
MPH 100 with breather



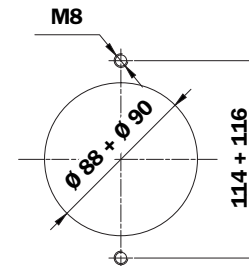
MPH 100 without breather



Holes on the tank



Holes on the tank



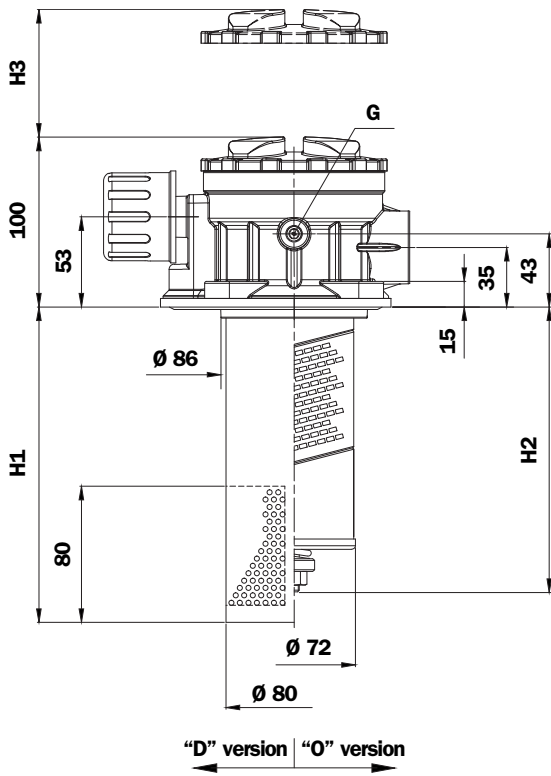
Thread connections MPH 100

St.	A	G
G1	G 3/4"	G 1/8"
G2	G 1"	G 1/8"
G3	G 1 1/4"	G 1/8"
G4	3/4" NPT	1/8" NPT
G5	1" NPT	1/8" NPT
G6	1 1/4" NPT	1/8" NPT
G7	SAE 12 - 1 1/6" - 12 UN	1/8" NPT
G8	SAE 16 - 1 5/16" - 12 UN	1/8" NPT
G9	SAE 20 - 1 5/8" - 12 UN	1/8" NPT

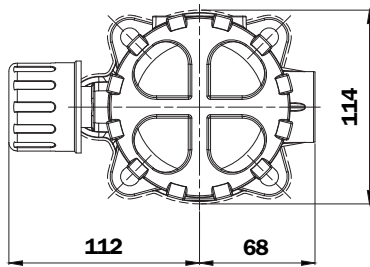
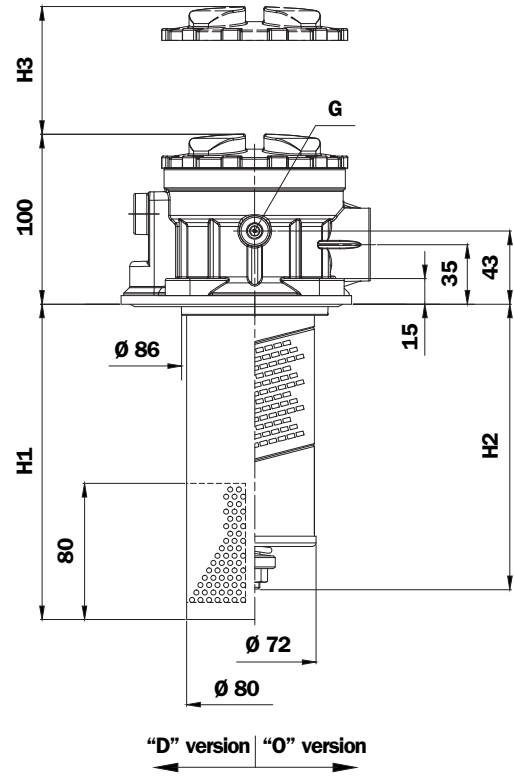
MPH 100

Filter Length	H1 mm	H2 mm	H3 mm
1	185	125	225
2	185	170	255
3	235	220	305
4	335	320	405

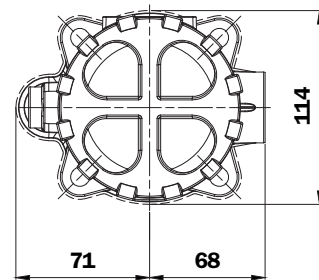
MPH 104 with breather



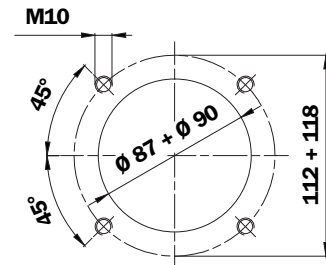
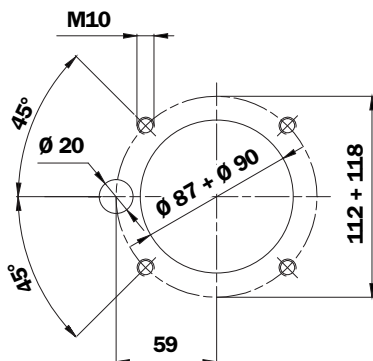
MPH 104 without breather



Holes on the tank



Holes on the tank



Thread connections MPH 104

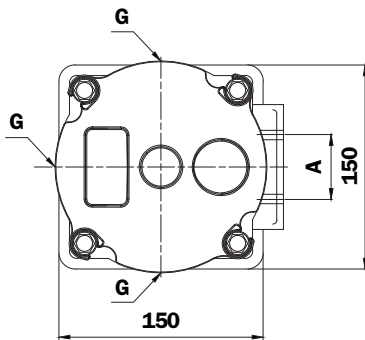
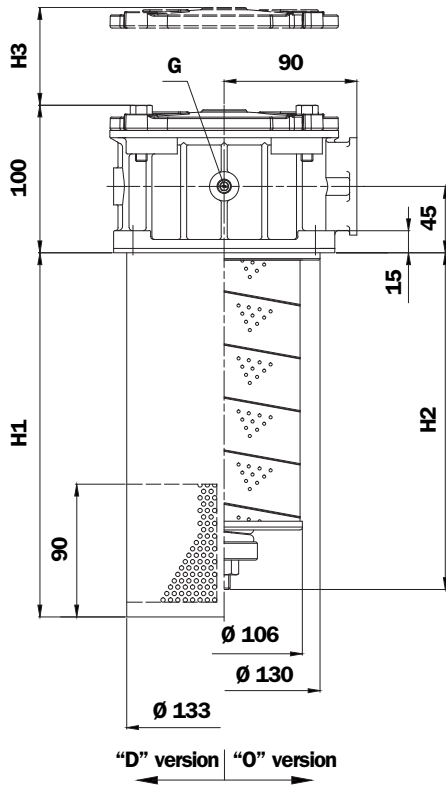
St.	A	G
G1	G 3/4"	G 1/8"
G2	G 1"	G 1/8"
G3	G 1 1/4"	G 1/8"
G4	3/4" NPT	1/8" NPT
G5	1" NPT	1/8" NPT
G6	1 1/4" NPT	1/8" NPT
G7	SAE 12 - 1 1/6" - 12 UN	1/8" NPT
G8	SAE 16 - 1 5/16" - 12 UN	1/8" NPT
G9	SAE 20 - 1 5/8" - 12 UN	1/8" NPT

MPH 104

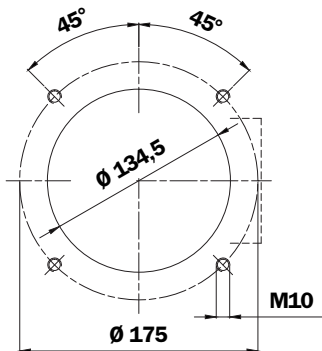
Filter Length	H1 mm	H2 mm	H3 mm
1	185	125	225
2	185	170	255
3	235	220	305
4	335	320	405

MPH 250

1 connection port

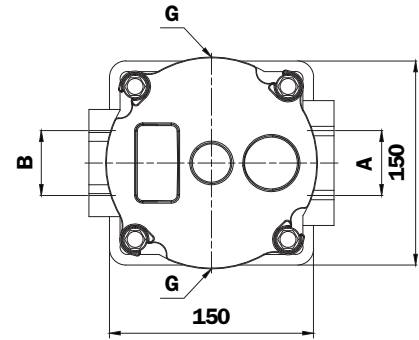
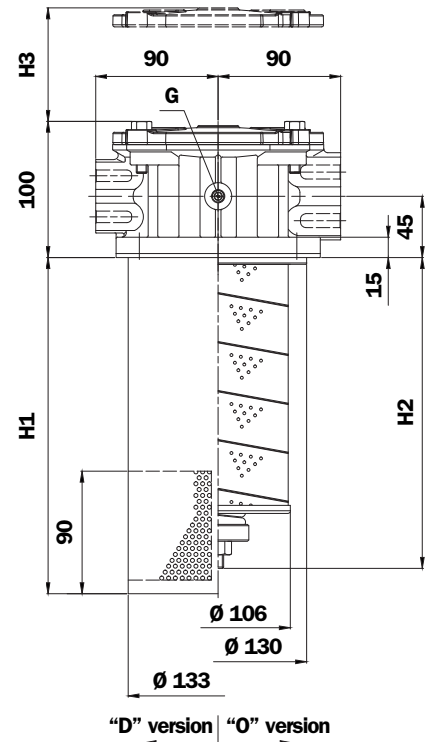


Holes on the tank

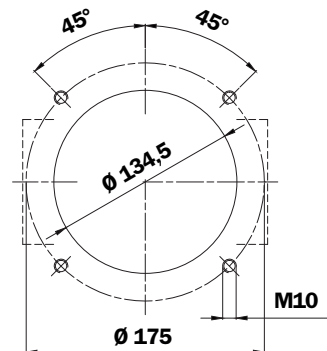


MPH 250

2 connection port



Holes on the tank



Thread connections MPH 250

St.	A	B	G
G1	G 1 1/2"	not available	G 1/8"
G2	G 1 1/2"	G 1 1/4"	G 1/8"
G3	not available	not available	G 1/8"
G4	1 1/2" NPT	not available	1/8" NPT
G5	1 1/2" NPT	1 1/4" NPT	1/8" NPT
G6	not available	not available	1/8" NPT
G7	SAE 24 - 1 7/8" - 12 UN	not available	1/8" NPT
G8	SAE 24 - 1 7/8" - 12 UN	SAE 20 - 1 5/8" - 12 UN	1/8" NPT

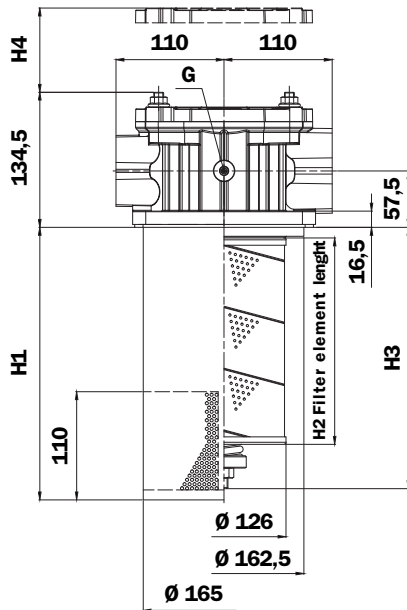
MPH 250

Filter Length	H1 mm	H2 mm	H3 mm
1	247	182	280
2	247	231	330
3	317	302	400
4	505	505	605

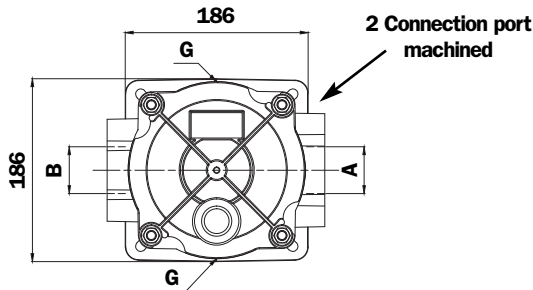
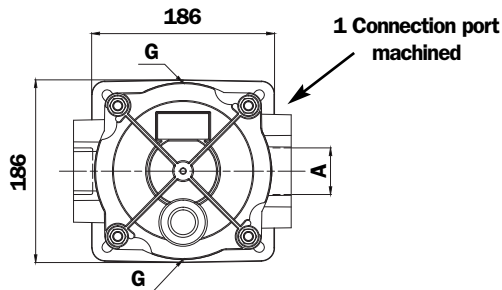
Flange connections MPH 250

St.	A	B	G
F1	1 1/2" SAE 3000 PSI/M	Not available	G 1/8"
F2	1 1/2" SAE 3000 PSI/M	1 1/4" SAE 3000 PSI/M	G 1/8"
F3	1 1/2" SAE 3000 PSI/UNC	Not available	1/8" NPT
F4	1 1/2" SAE 3000 PSI/UNC	1 1/4" SAE 3000 PSI/UNC	1/8" NPT

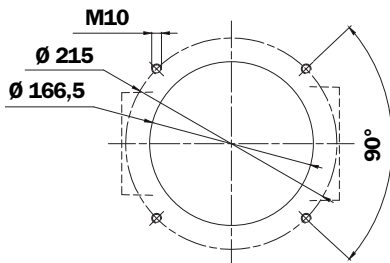
MPH 630



"D" version "O" version



Holes on the tank



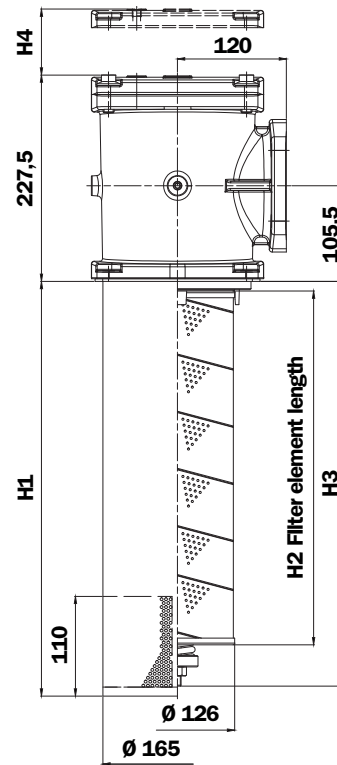
MPH 630

Length Filter	H1 mm	H2 mm	H3 mm	H4 mm
1	276	210	260	385
2	356	290	340	465
3	456	390	440	565
4	546	478	530	655
5	850	778	830	955

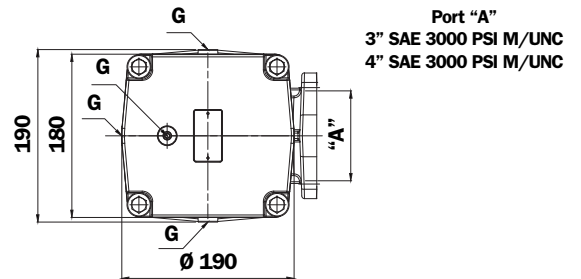
MPH 660

Length Filter	H1 mm	H2 mm	H3 mm	H4 mm
4	547	478	539	745
5	849	778	838	1045

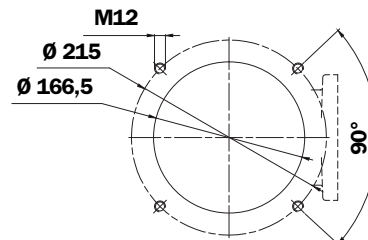
MPH 660



"D" version "O" version



Holes on the tank



Flange connections

MPH 630

St.	A	B	G
F1	2 1/2" SAE 3000 PSI/M	Not available	G 1/8"
F2	2 1/2" SAE 3000 PSI/M	2" SAE 3000 PSI/M	G 1/8"
F3	2 1/2" SAE 3000 PSI/UNC	Not available	1/8" NPT
F4	2 1/2" SAE 3000 PSI/UNC	2" SAE 3000 PSI/UNC	1/8" NPT

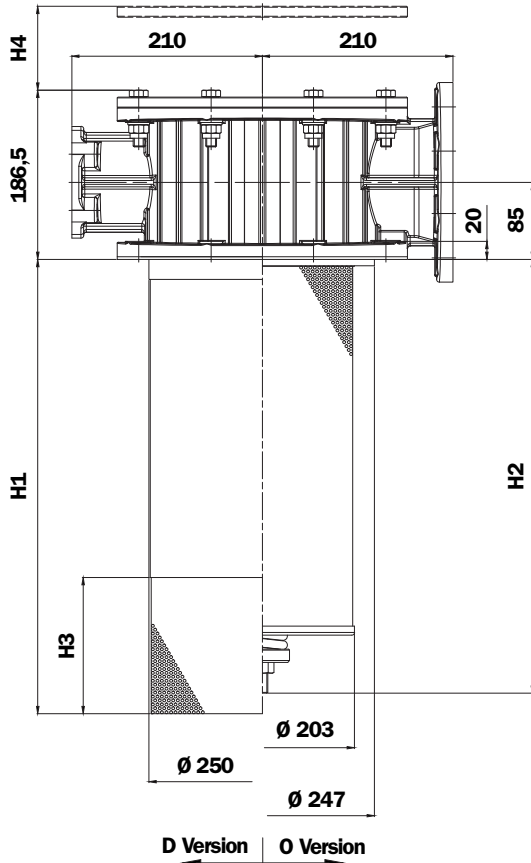
Flange connections

MPH 660

St.	A	G
F1	3" SAE 3000 PSI/M	G 1/8"
F2	4" SAE 3000 PSI/M	G 1/8"

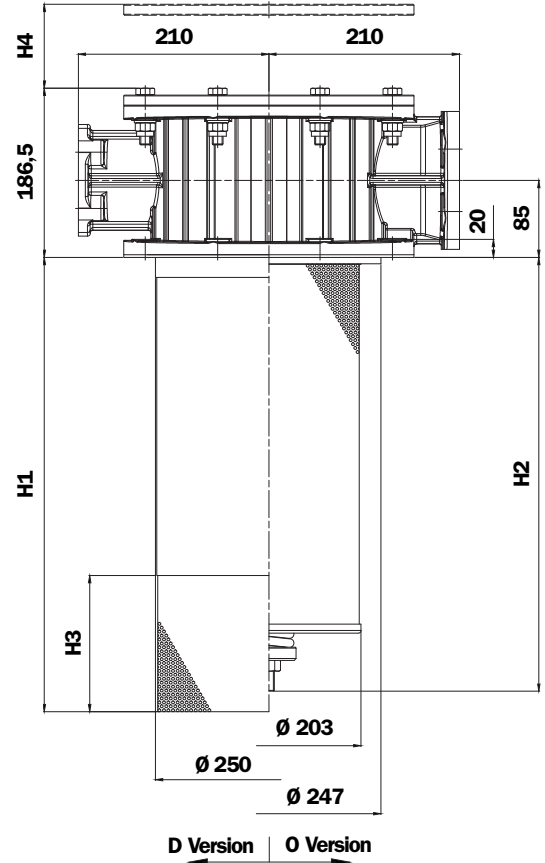
MPH 850

F1 - F3 (DN - SAE)

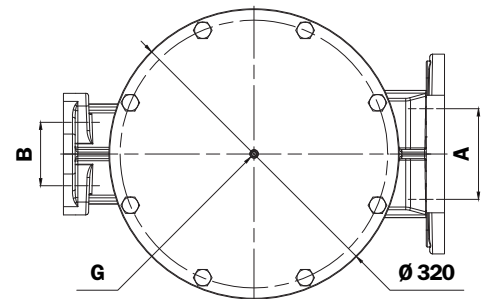
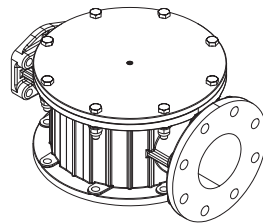
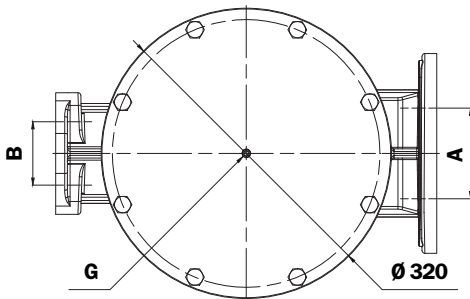


MPH 850

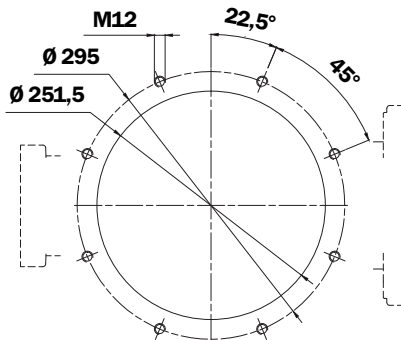
F5 - F6 - F7 - F8 (SAE - SAE)



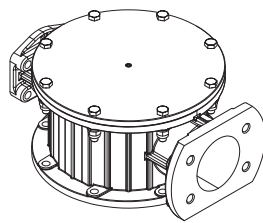
Indicative view for connection DN - SAE



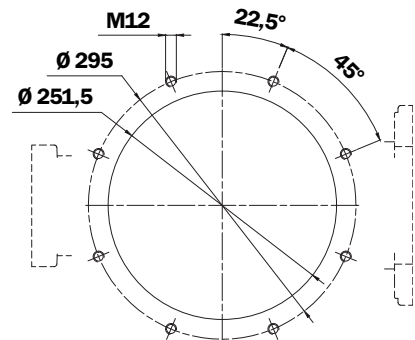
Holes on the tank



Indicative view for connection SAE - SAE



Holes on the tank



Flange connections MPH 850/DN - SAE

St.	A	B	G
F1	DN 100 PN 10/16 UNI 2223	3" SAE 3000 PSI/M	G 1/8"
F2	Not available	Not available	-
F3	DN 100 PN 10/16 UNI 2223	3" SAE 3000 PSI/UNC	1/8" NPT
F4	Not available	Not available	-

Flange connections MPH 850/SAE - SAE

St.	A	B	G
F5	3" SAE 3000 PSI/M	Not available	-
F6	3" SAE 3000 PSI/UNC	Not available	-
F7	4" SAE 3000 PSI/M	3" SAE 3000 PSI/M	G 1/8"
F8	4" SAE 3000 PSI/UNC	3" SAE 3000 PSI/UNC	1/8" NPT

MPH 850

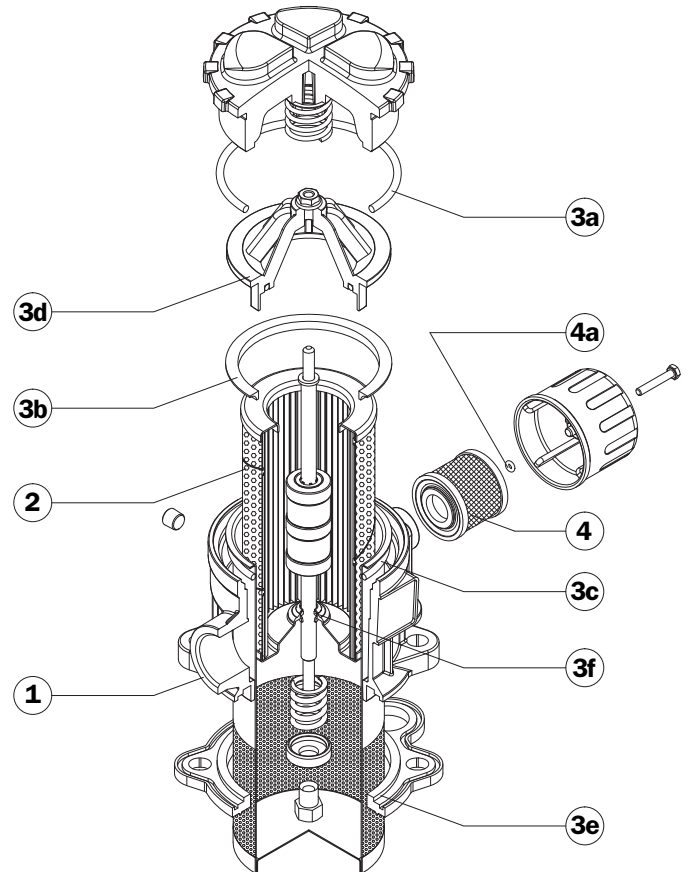
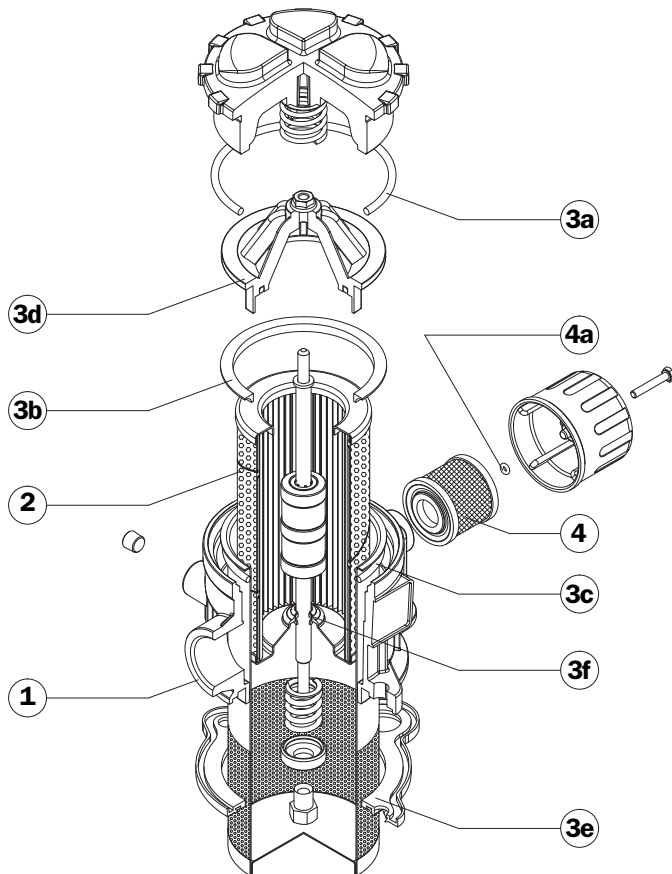
Length Filter	H1 mm	H2 mm	H3 mm	H4 mm
1	411,5	323,5	150	565
2	625	538,5	150	785
3	913,5	816	250	1065
4	1178,5	1080	250	1335

Spare parts MPH

(AIR BREATHER + DIFFUSER)

MPH 100 CD

MPH 104 CD



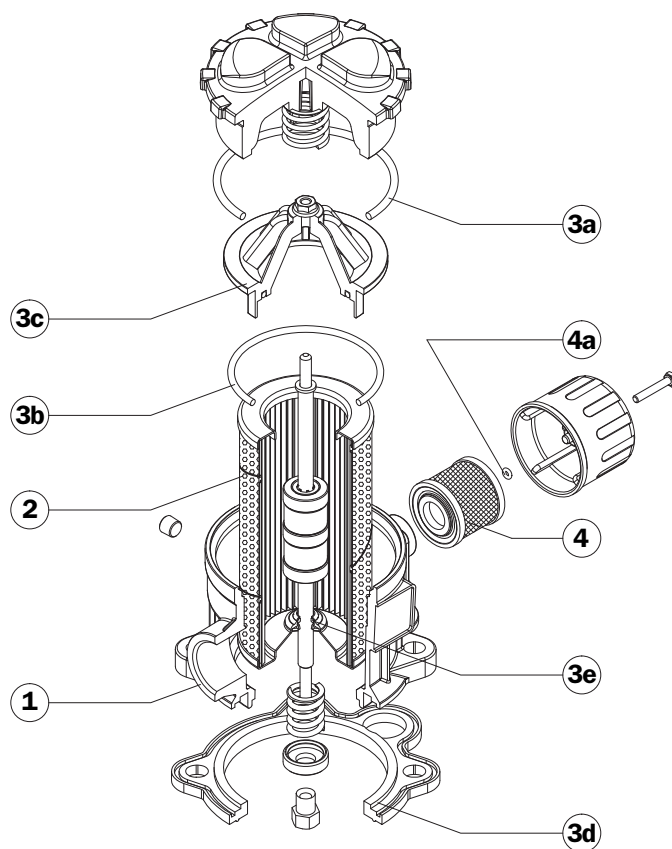
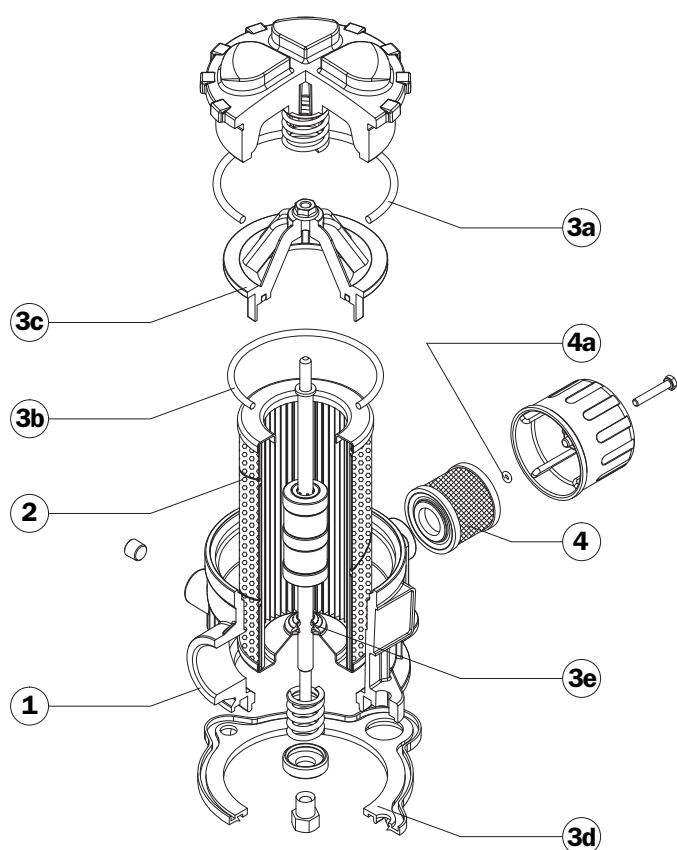
Pos.	Description	Qty	FILTER Series MPH			
			100 CD (Air breather + diffuser)		104 CD (Air breather + diffuser)	
1	Filter assembly	1	See order table			
2	Filter element	1	See order table			
3	Seal Kit	1	NBR 02050149	FPM 02050150	NBR 02050390	FPM 02050409
3a	Seal cover	1	O-R Metric Ø 90 x 4		O-R Metric Ø 90 x 4	
3b	Stand/Diffuser seal	1	01026554	01026560	01026554	01026560
3c	Diffuser/Housing seal	1	O-R 4312 Ø 78,97 x 3,53		O-R 4312 Ø 78,97 x 3,53	
3d	Stand assembly + BP seal	1	02019052	02019053	02019052	02019053
3e	Housing flat seal	1	01026551	01026559	01026582	01026594
3f	Filter element seal	1	O-R Metric Ø 7,5 x 2,5		O-R Metric Ø 7,5 x 2,5	
4	Air breather	1	10 micron A5L03	40 micron 01157617	10 micron A5L03	40 micron 01157617
4a	Retainer screw (airbreather)	1	O-R 2012		O-R 2012 Ø 2,9 x 1,78	

Spare parts MPH

(AIR BREATHER WITHOUT DIFFUSER)

MPH 100 CO

MPH 104 CO

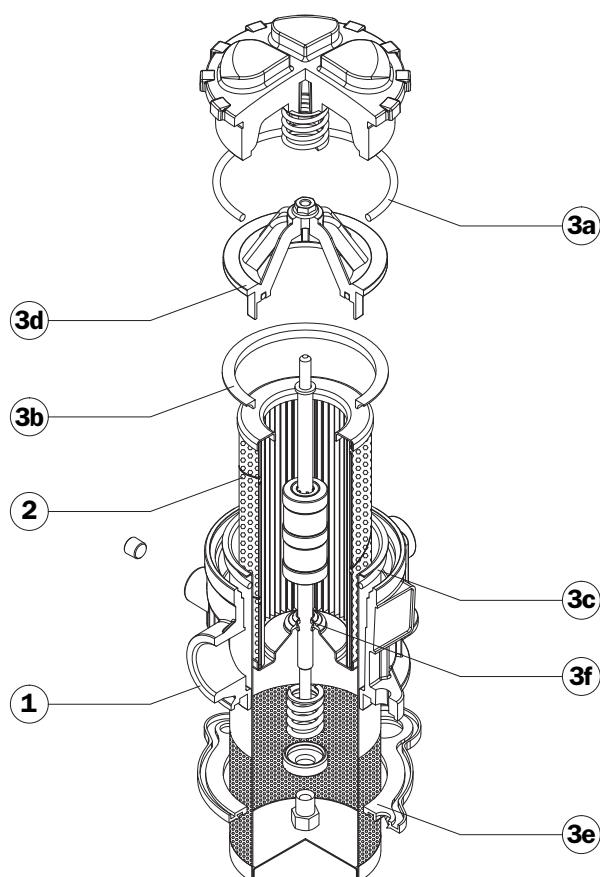


Pos.	Description	Qty	FILTER Series MPH			
			100 CO (Air breather without diffuser)		104 CO (Air breather without diffuser)	
1	Filter assembly	1	See order table			
2	Filter element	1	See order table			
3	Seal Kit	1	NBR 02050149	FPM 02050150	NBR 02050390	FPM 02050409
3a	Seal cover	1	O-R Metric Ø 90 x 4		O-R Metric Ø 90 x 4	
3b	Stand/Tank seal	1	O-R 4275 Ø 69,44 x 3,53		O-R 4275 Ø 69,44 x 3,53	
3c	Stan assembly + BP seal	1	02019052	02019053	02019052	02019053
3d	Housing flat seal	1	01026551	01026559	01026582	01026594
3e	Filter element seal	1	O-R Metric Ø 7,5 x 2,5		O-R Metric Ø 7,5 x 2,5	
4	Air breather	1	10 micron A5L03	40 micron 01157617	10 micron A5L03	40 micron 01157617
4a	Retainer screw (airbreather)	1	O-R 2012 Ø 2,9 x 1,78		O-R 2012 Ø 2,9 x 1,78	

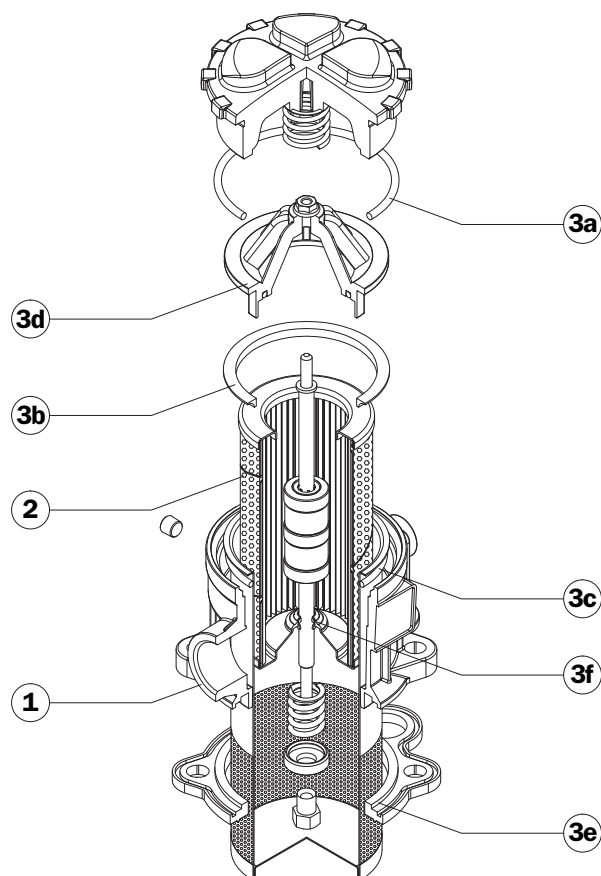
Spare parts MPH

(WITHOUT AIR BREATHER + DIFFUSER)

MPH 100 SD



MPH 104 SD

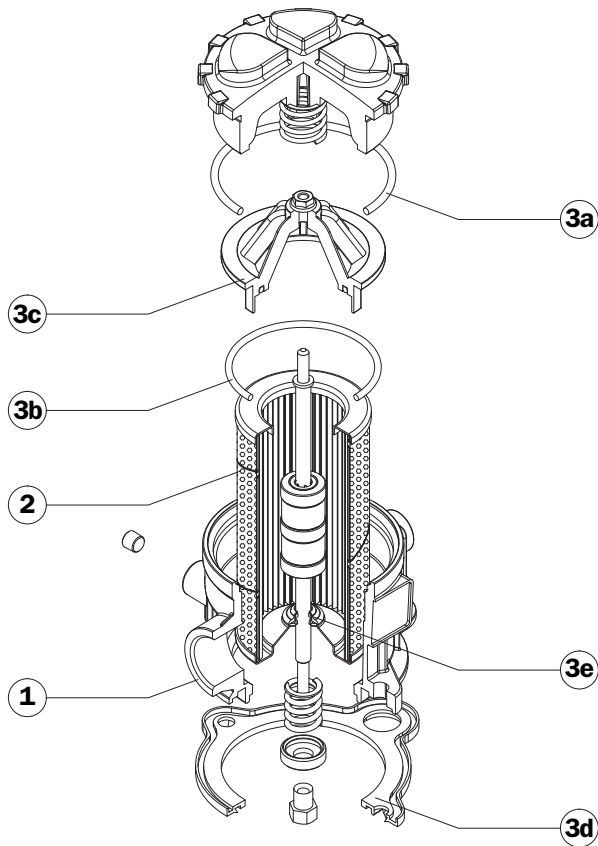


Pos.	Description	Qty	FILTER Series MPH			
			100 SD (Without air breather + diffuser)		104 SD (Without air breather + diffuser)	
1	Filter assembly	1	See order table			
2	Filter element	1	See order table			
3	Seal Kit	1	NBR 02050149	FPM 02050150	NBR 02050390	FPM 02050409
3a	Seal cover	1	O-R Metric Ø 90 x 4		O-R Metric Ø 90 x 4	
3b	Stand/Diffuser seal	1	01026554	01026560	01026554	01026560
3c	Diffuser/Housing seal	1	O-R 4312 Ø 78,97 x 3,53		O-R 4312 Ø 78,97 x 3,53	
3d	Stand assembly + BP seal	1	02019052	02019053	02019052	02019053
3e	Housing flat seal	1	01026551	01026559	01026582	01026594
3f	Filter element seal	1	O-R Metrico Ø 7,5 x 2,5		O-R Metrico Ø 7,5 x 2,5	

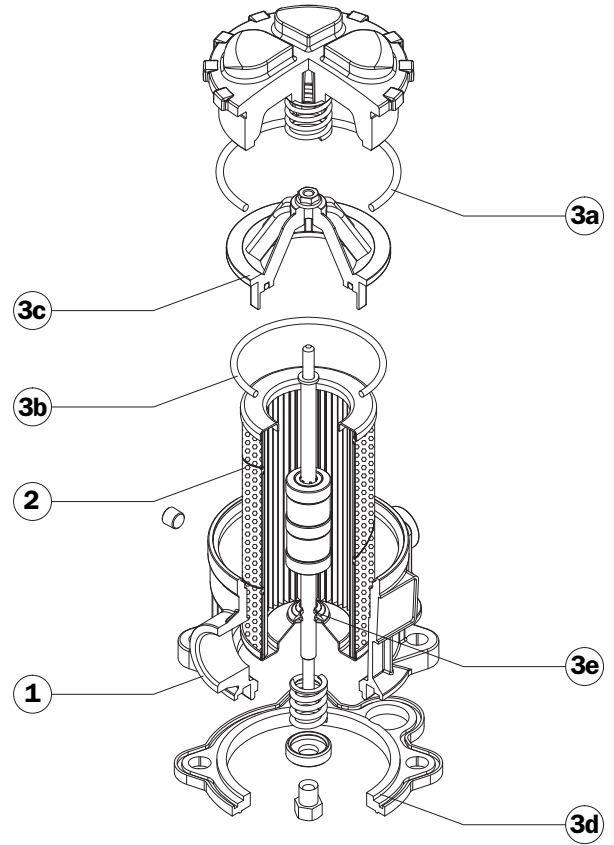
Spare parts MPH

(WITHOUT AIR BREATHER NO DIFFUSER)

MPH 100 SO

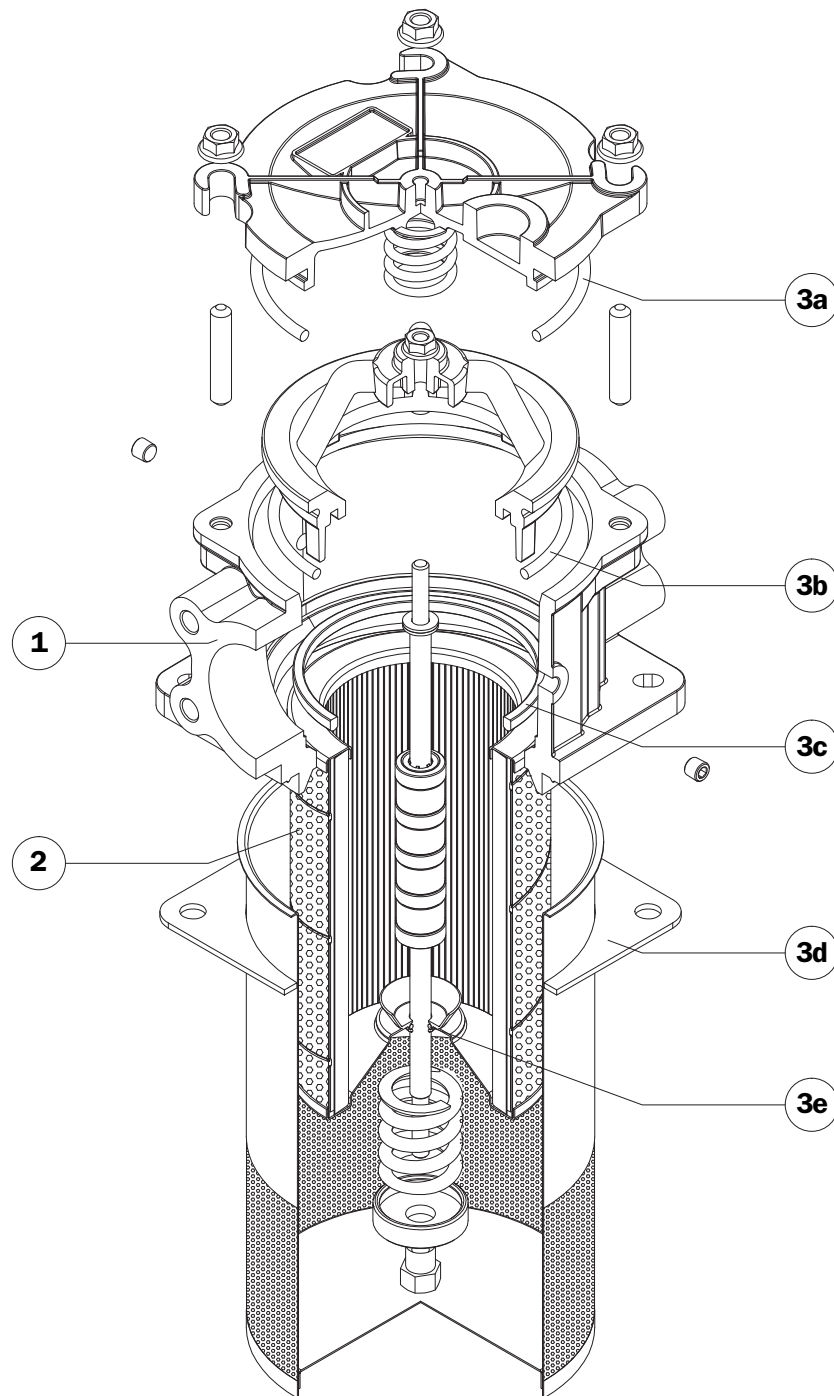


MPH 104 SO



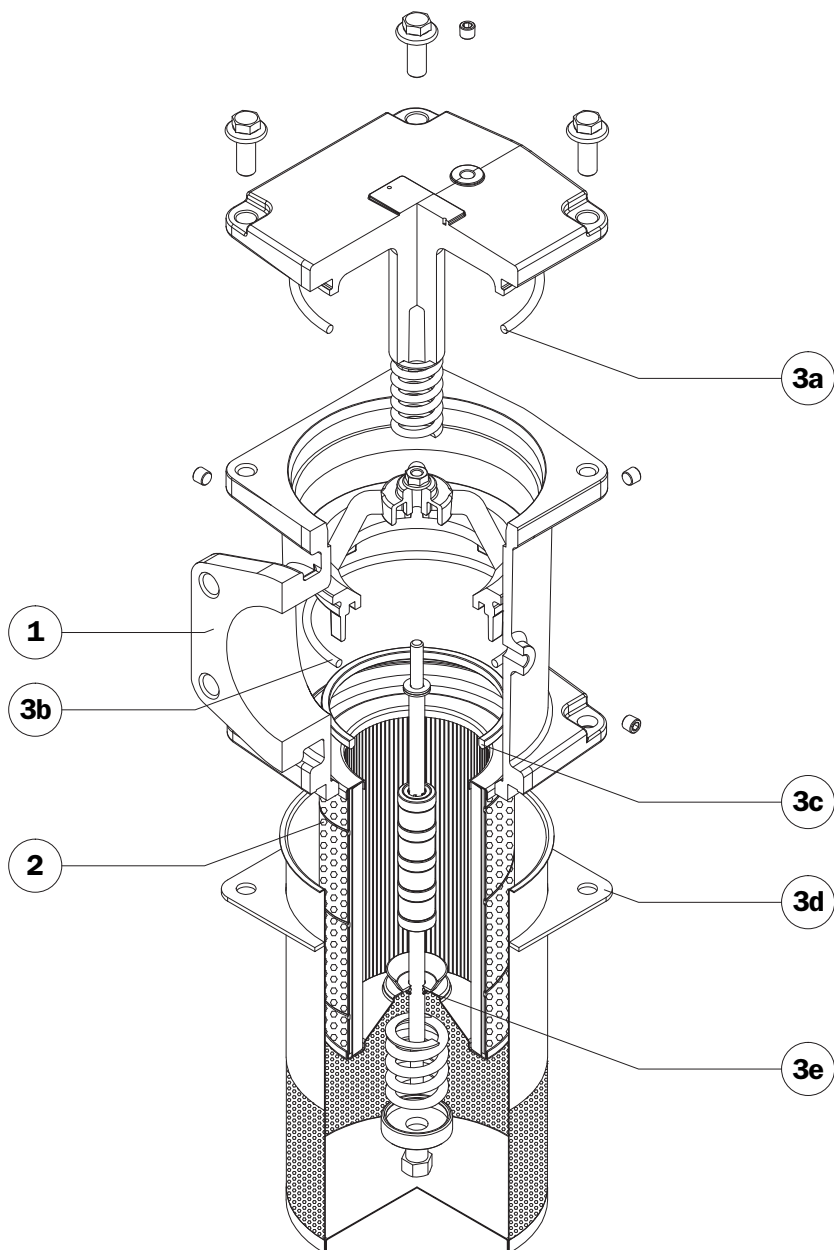
Pos.	Description	Qty	FILTER Series MPH			
			100 SO (Without air breather no diffuser)		104 SO (Without air breather no diffuser)	
1	Filter assembly	1	See order table			
2	Filter element	1	See order table			
3	Seal Kit	1	NBR 02050149	FPM 02050150	NBR 02050390	FPM 02050409
3a	Seal cover	1	O-R Metric Ø 90 x 4		O-R Metric Ø 90 x 4	
3b	Stand/Housing seal	1	O-R 4275 Ø 69,44 x 3,53		O-R 4275 Ø 69,44 x 3,53	
3c	Assembly stand + BP seal	1	02019052	02019053	02019052	02019053
3d	Housing flat seal	1	01026551	01026559	01026582	01026594
3e	Filter element seal	1	O-R Metric Ø 7,5 x 2,5		O-R Metric Ø 7,5 x 2,5	

Spare parts MPH 250 - 630



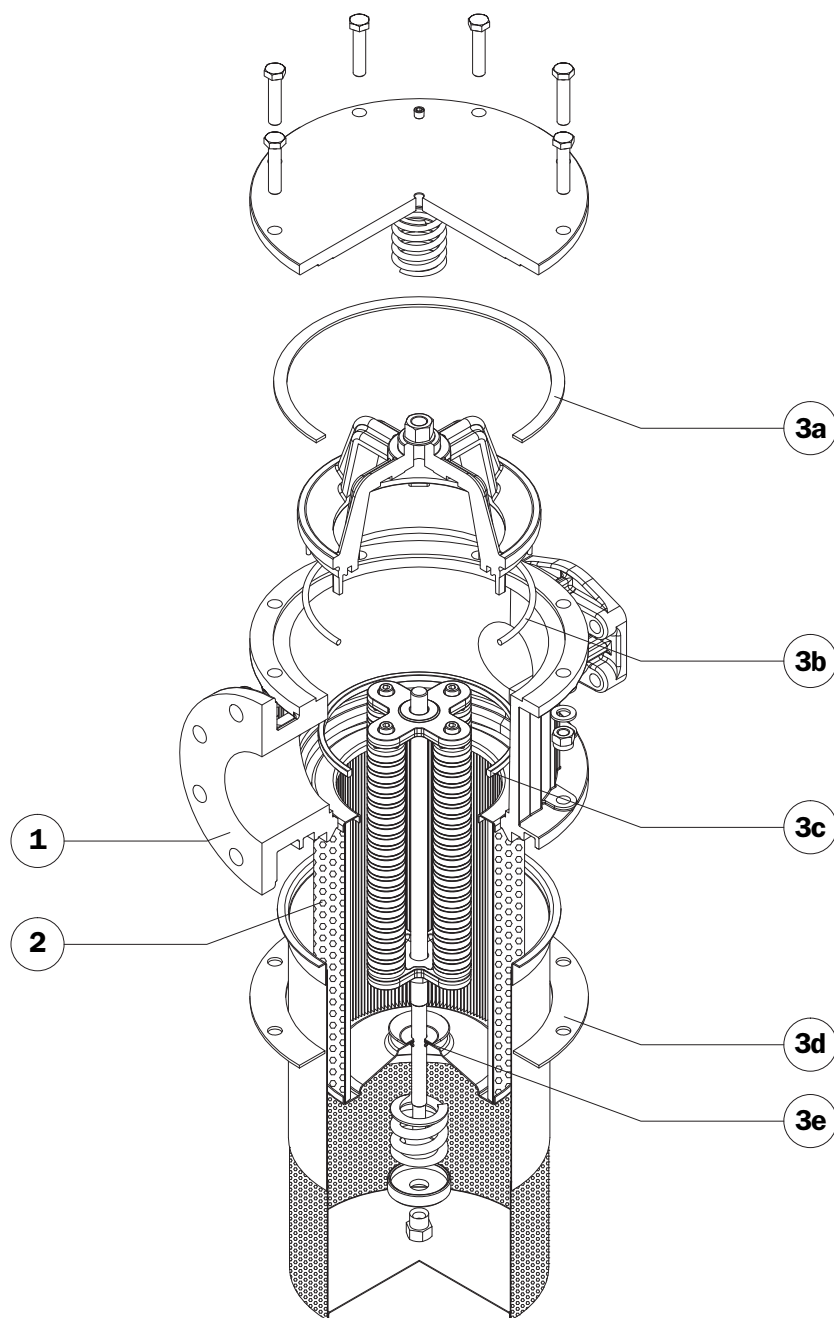
Pos.	Description	Qty	FILTER Series			
			MPH 250		MPH 630	
1	Filter assembly	1	See order table			
2	Filter element	1	See order table			
3	Seal Kit	1	NBR 02050151	FPM 02050152	NBR 02050153	FPM 02050154
3a	Seal cover	1	O-R 210 Ø 120,70 x 5,34		O-R Metric Ø 149,30 x 5,7	
3b	Stand/Housing seal	1	O-R 4437 Ø 110,70 x 3,53		O-R 210 Ø 133,40 x 5,34	
3c	Stand + BP seal	1	01026217	01026220	01026228	01026229
3d	Housing flat seal	1	01026549	01026561	01026545	01026562
3e	Filter element seal	1	O-R 112 Ø 9,92 x 2,62		O-R 112 Ø 9,92 x 2,62	

Spare parts MPH 660



Pos.	Description	Qty	FILTER Series MPH 660	
1	Filter assembly	1	See order table	
2	Filter element	1	See order table	
3	Seal Kit	1	NBR 02050153	FPM 02050154
3a	Seal cover	1	O-R Metric Ø 149,30 x 5,7	
3b	Stand/Housing seal	1	O-R 210 Ø 133,40 x 5,34	
3c	Stand/BP seal	1	01026228	01026229
3d	Housing flat seal	1	01026545	01026562
3e	Filter element seal	1	O-R 112 Ø 9,92 x 2,62	

Spare parts MPH 850



Pos.	Description	Qty	FILTER Series MPH 850	
1	Filter assembly	1	See order table	
2	Filter element	1	See order table	
3	Seal Kit	1	NBR 02050155	FPM 02050156
3a	Seal cover	1	01026185	01026564
3b	Stand/Housing seal	1	O-R Metric Ø 209,30 x 5,70	
3c	Stand/BP seal	1	01026248	01026245
3d	Housing flat seal	1	01026325	01026563
3e	Filter element seal	1	O-R 3056 Ø 13,95 x 2,62	

Ordering information MPH

Filter assembly MPH

Example: MPH

1	2	3	4	5	6	7	8	9
<input type="text"/>	<input type="text"/>	<input type="text"/>	<input type="text"/>	<input type="text"/>	<input type="text"/>	<input type="text"/>	<input type="text"/>	<input type="text"/>
100	1	C	D	S	A	G1	A25	P01

Filter element MR

Example: MR

1	2	8	6	9
<input type="text"/>	<input type="text"/>	<input type="text"/>	<input type="text"/>	<input type="text"/>
100	1	A10	A	P01

1 - Style

Filter

100
104
250
630
660
850

Filter element

100
100
250
630
630
850

2 - Filter length

100 104 250
630
660
850

<input type="text"/> 1	<input type="text"/> 2	<input type="text"/> 3	<input type="text"/> 4	
<input type="text"/> 1	<input type="text"/> 2	<input type="text"/> 3	<input type="text"/> 4	<input type="text"/> 5
			<input type="text"/> 4	<input type="text"/> 5
<input type="text"/> 1	<input type="text"/> 2	<input type="text"/> 3	<input type="text"/> 4	

3 - Bypass valve

S Without bypass
C 1,75 bar
E 2,5 bar (not available for filter MPH 850)

4 - Execution

O Without diffuser and with magnetic column
D With diffuser and with magnetic column
E Without diffuser and without magnetic column
F With diffuser and without magnetic column

5 - Air breather

S Without air breather
C With 10 µm air breather (only for filter MPH 100-104)
M With 40 µm air breather (only for filter MPH 100-104)

6 - Filter element seals

A NBR
V FPM
W NBR + Anodized housing
Z FPM + Anodized housing

.....

.....

.....

.....

.....

.....

.....

.....

.....

.....

.....

.....

.....

.....

.....

.....

.....

.....

.....

.....

.....

Ordering information MPH

7 - Connections

Type	MPH				
	100/104	250	630	660	850
G1	G 3/4"	G 1 1/2"	-	-	-
G2	G 1"	G 1 1/2" G 1 1/4"	-	-	-
G3	G 1 1/4"	-	-	-	-
G4	3/4" NPT	1 1/2" NPT	-	-	-
G5	1" NPT	1 1/2" NPT 1 1/4" NPT	-	-	-
G6	1 1/4" NPT	-	-	-	-
G7	SAE 12	SAE 24	-	-	-
G8	SAE 16	SAE 24 SAE 20	-	-	-
G9	SAE 20	-	-	-	-
F1 (M)	-	1 1/2" SAE 3000	2 1/2" SAE 3000	3" SAE 3000	DN 100 PN 10/16 3" SAE 3000
F2 (M)	-	1 1/2" SAE 3000 1 1/4" SAE 3000	2 1/2" SAE 3000 2" SAE 3000	4" SAE 3000	-
F3 (UNC)	-	1 1/2" SAE 3000	2 1/2" SAE 3000	-	DN 100 PN 10/16 3" SAE 3000
F4 (UNC)	-	1 1/2" SAE 3000 1 1/4" SAE 3000	2 1/2" SAE 3000 2" SAE 3000	-	-
F5 (M)	-	-	-	-	3" SAE 3000
F6 (UNC)	-	-	-	-	3" SAE 3000
F7 (M)	-	-	-	-	4" SAE 3000 3" SAE 3000
F8 (UNC)	-	-	-	-	4" SAE 3000 3" SAE 3000

8 - Filter element

A06	Inorganic microfibre 6 μ] Absolute filtration Inorganic Microfibre βx (c) ≥ 1000
A10	Inorganic microfibre 10 μ	
A25	Inorganic microfibre 25 μ	
M25	Wire mesh] Nominal Filtration Metal mesh
M60	Wire mesh	
M90	Wire mesh	
P10	Impregnated paper] Nominal Filtration Cellulose
P25	Impregnated paper	

9 - Option

P01	MP Filtri standard
------------	--------------------

MP Filtri - The filter functions as described in this bulletin are valid exclusively for original MP Filtri filter elements and replacement parts. All rights reserved

The data in this publication are purely guideline. MP Filtri reserves the right to make changes to the models described herein at any time it deems fit in relation to technical or commercial requirements. The colours of the products shown on the cover are purely guideline. Copyright. All rights reserved.

MPI



Maximum pressure 10 bar
Flow rates to 3000 l/min

MPI

Filter housing (Materials)

- Stand: Nylon (only for MPI 100)
Aluminium
- Diffuser: Zinc plated steel
- Valve: Steel (surfacing treatment/heat treatment)

Pressure

- Working pressure: 10 bar (1 MPa)

Temperature

- From -25°C to +110°C

Bypass valve

- Opening pressure 1,75 - 2,5 bar ±10%
(for MPH 850: only 1,75 bar ±10%)

Δp Elements type

- Series MR elements: 10 bar
- Oil flow from interior to exterior

Seals

- Standard NBR series A
- Optional FPM series V

Weights (kg)

Length	1	2	3	4
• MPI 100	0,90	1,00	1,20	1,50
• MPI 250	2,20	2,50	2,90	4,30
• MPI 630	3,40	3,90	4,30	5,40
• MPI 850	15,2	18,2	21,2	25,2

Volumes (dm³)

Length	1	2	3	4
• MPI 100	0,90	0,90	1,20	1,60
• MPI 250	3,50	3,50	4,50	7,00
• MPI 630	5,80	7,40	9,50	11,4
• MPI 850	8,80	12,2	16,7	20,8

Compatibility

- Housings/Diffuser compatible with:
Mineral oils to ISO 2943 - aqueous emulsions
synthetic fluids, water and glycol.
(Glycol = series W required)
- The filter elements are compatible with:
Mineral oils to ISO 2943, Synthetic fluids
Aqueous emulsions, water and glycol.
- NBR seals series A, compatible with:
Mineral oils to ISO 2943 - aqueous emulsions
synthetic fluids, water and glycol.
- FPM seals series V, compatible with:
Synthetic fluids type HS-HFDR-HFDS-HFDU
To ISO 2943

Filter Element Area

Filter element in stainless steel mesh

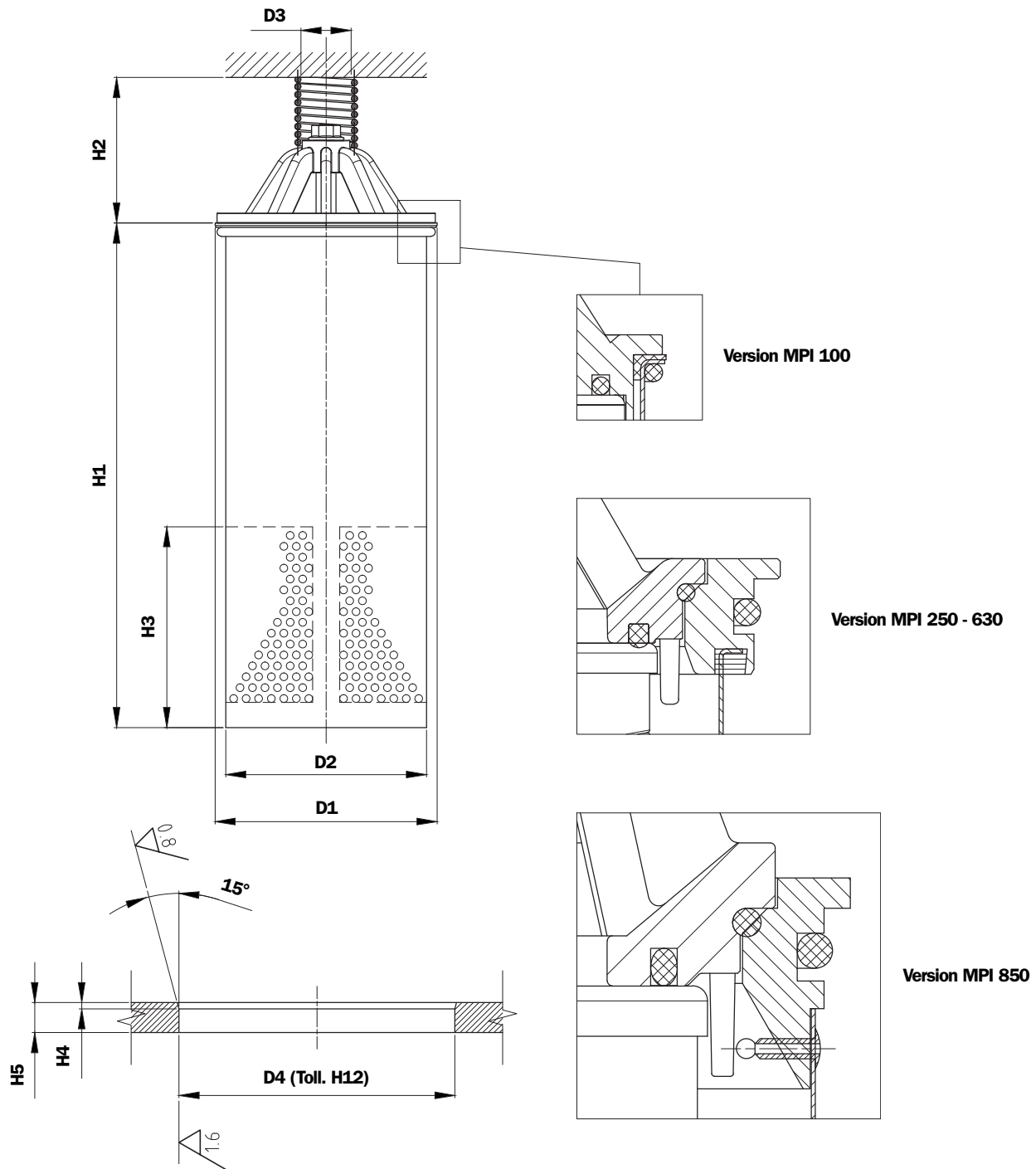
Type	Length				
	1	2	3	4	5
MR 100	653	935	1255	1895	-
MR 250	1197	1637	2253	4048	-
MR 630	2308	3204	4324	5309	8647
MR 850	7368	12287	18538	24574	-

Values expressed in **cm²**

Recommended maximum flow rate (see table on page 36)

Dimensions

MPI with diffuser

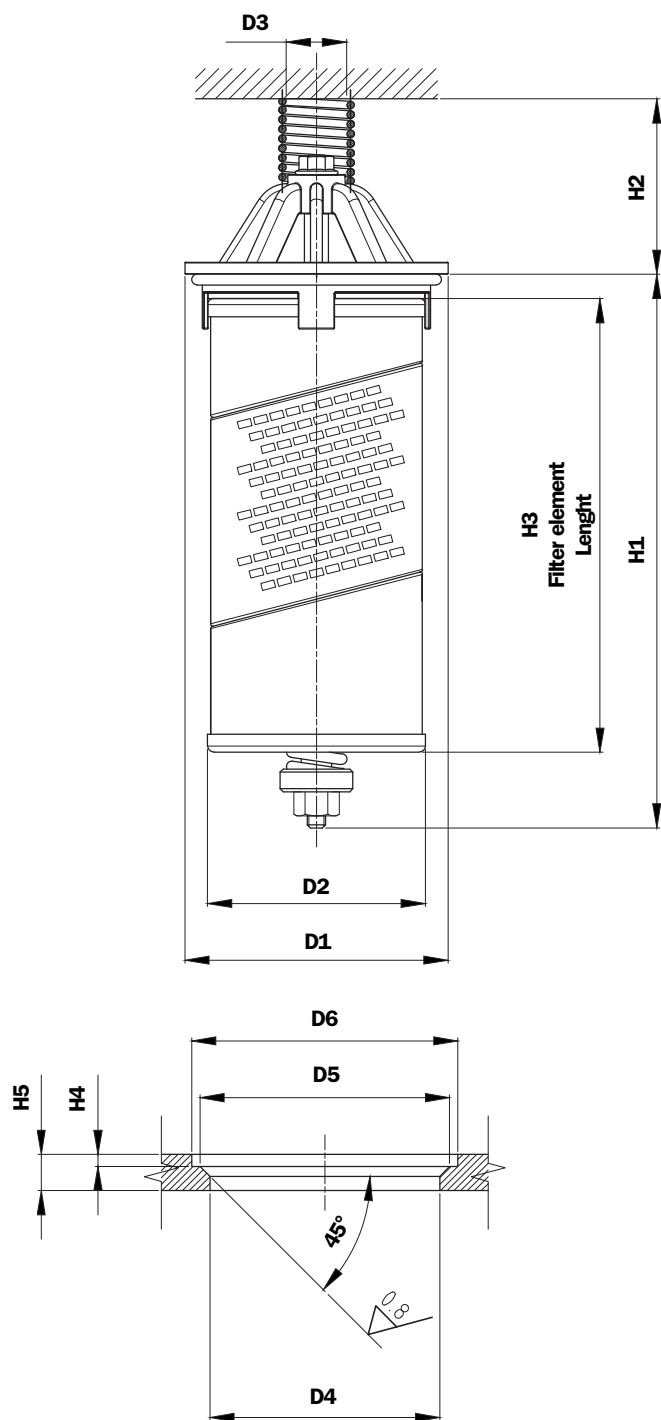


MPI

Type	H1 mm	H2 mm	H3 mm	H4 mm	H5 mm
MPI 100-1	200				
MPI 100-2	200				
MPI 100-3	250	57	80	0	12
MPI 100-4	350				
MPI 250-1	265				
MPI 250-2	265	81	90	11	15
MPI 250-3	335				
MPI 250-4	525				
MPI 630-1	300				
MPI 630-2	380				
MPI 630-3	480	103	110	12	15
MPI 630-4	570				
MPI 630-5	866				
MPI 850-1	425		150		
MPI 850-2	640	145	150	14,5	16
MPI 850-3	900		250		
MPI 850-4	1185		250		

Type	D1	D2	D3	D4
MPI 100-1				
MPI 100-2				
MPI 100-3	88,5	80	18	81
MPI 100-4				
MPI 250-1				
MPI 250-2	155	132	25	145
MPI 250-3				
MPI 250-4				
MPI 630-1				
MPI 630-2				
MPI 630-3	178	165	25	178
MPI 630-4				
MPI 630-5				
MPI 850-1				
MPI 850-2	260	245	40	251
MPI 850-3				
MPI 850-4				

MPI without diffuser

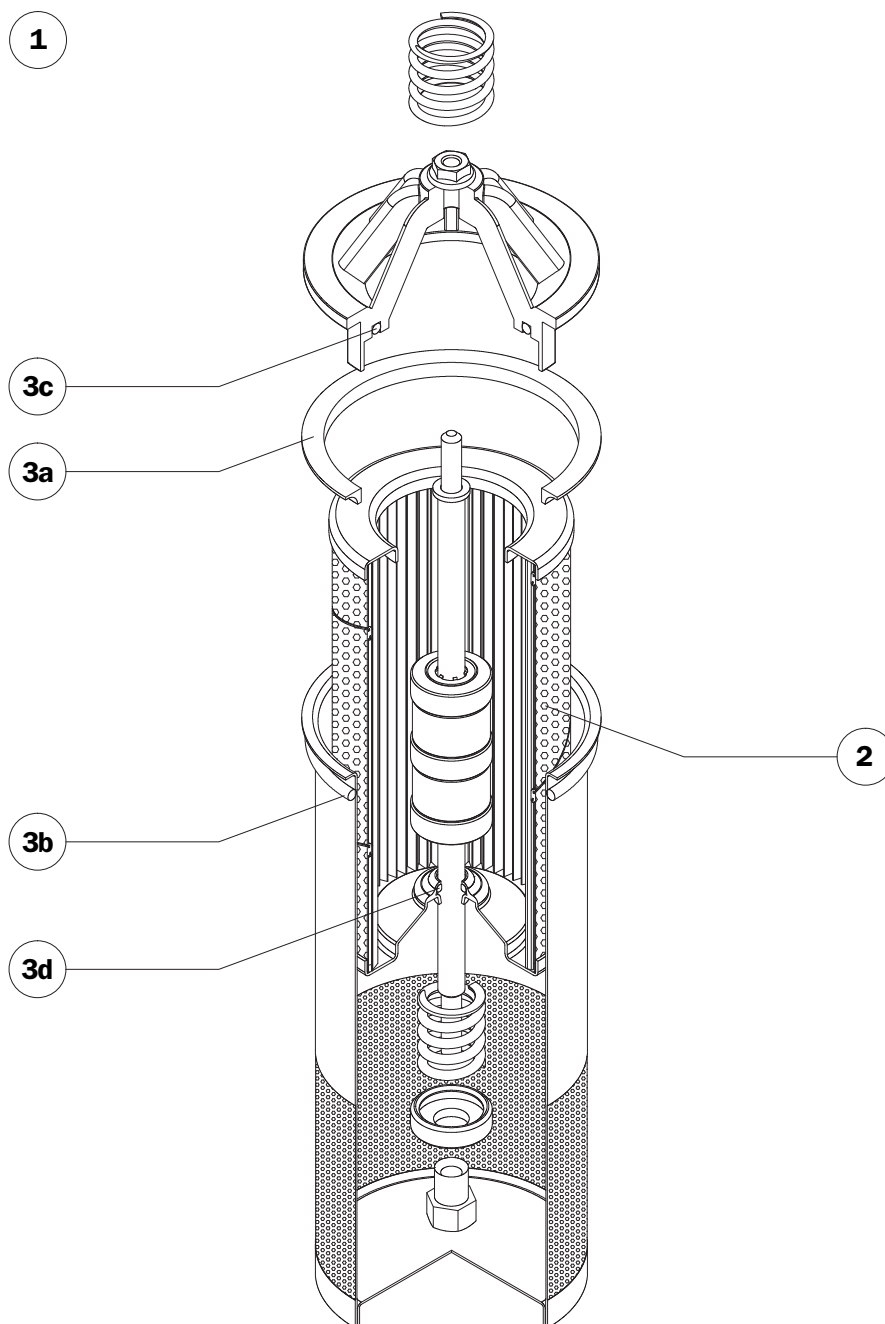


MPI

Type	H1 mm	H2 mm	H3 mm	H4 mm	H5 mm
MPI 100-1	140		110		
MPI 100-2	185		150	4	12
MPI 100-3	235	55	200		
MPI 100-4	335		300		
MPI 250-1	195		140		
MPI 250-2	245		195	5	12
MPI 250-3	315	82	260		
MPI 250-4	515		465		
MPI 630-1	275		210		
MPI 630-2	355		290		
MPI 630-3	455	105	390	7	15
MPI 630-4	540		480		
MPI 630-5	841		778		
MPI 850-1	405		330		
MPI 850-2	620		545	8	15
MPI 850-3	900	145	825		
MPI 850-4	1165		1190		

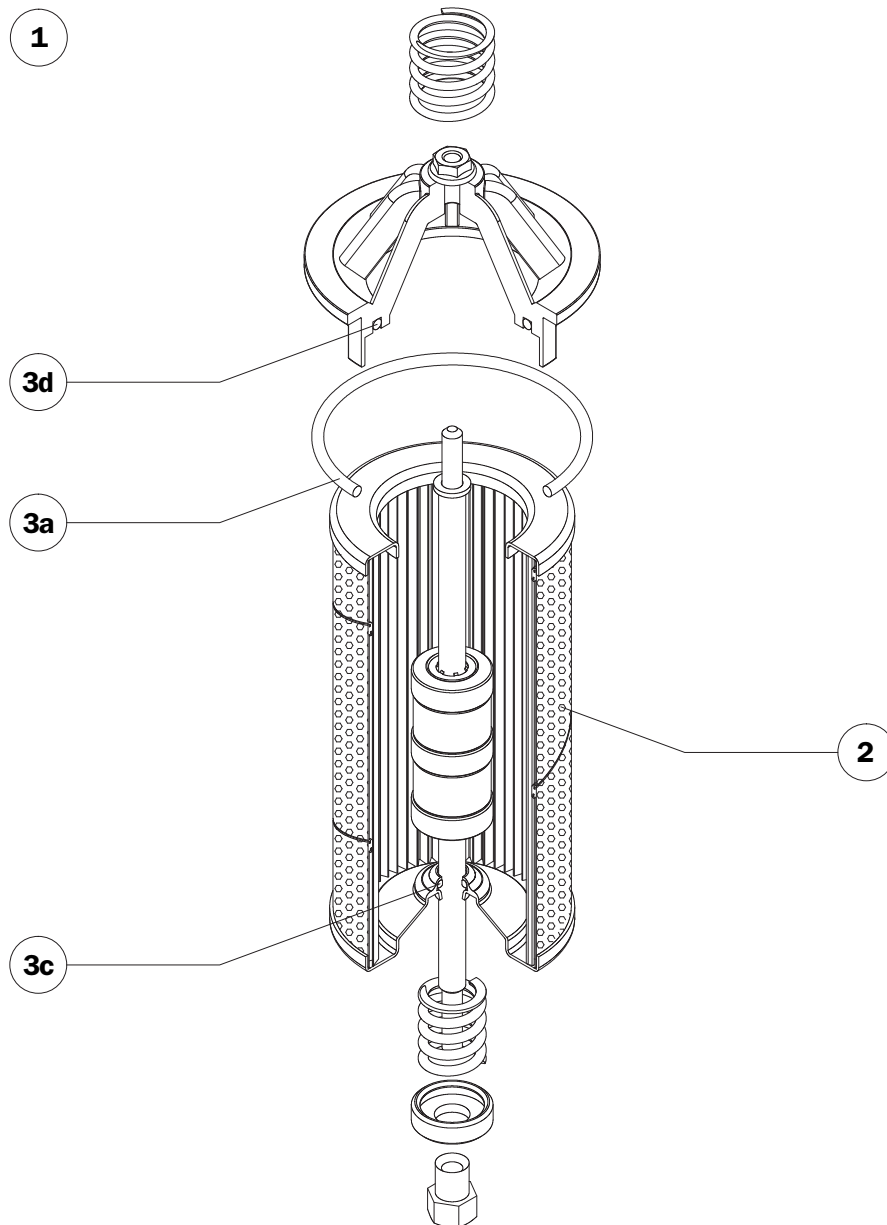
Type	D1	D2	D3	D4	D5	D6
MPI 100-1						
MPI 100-2						
MPI 100-3	87	72	18	77	86	88
MPI 100-4						
MPI 250-1						
MPI 250-2						
MPI 250-3	125	106	25	117	123,5	126
MPI 250-4						
MPI 630-1						
MPI 630-2						
MPI 630-3	150	126	25	139	150	151
MPI 630-4						
MPI 630-5						
MPI 850-1						
MPI 850-2						
MPI 850-3	230	203	40	217	227	231
MPI 850-4						

Spare parts MPI 100



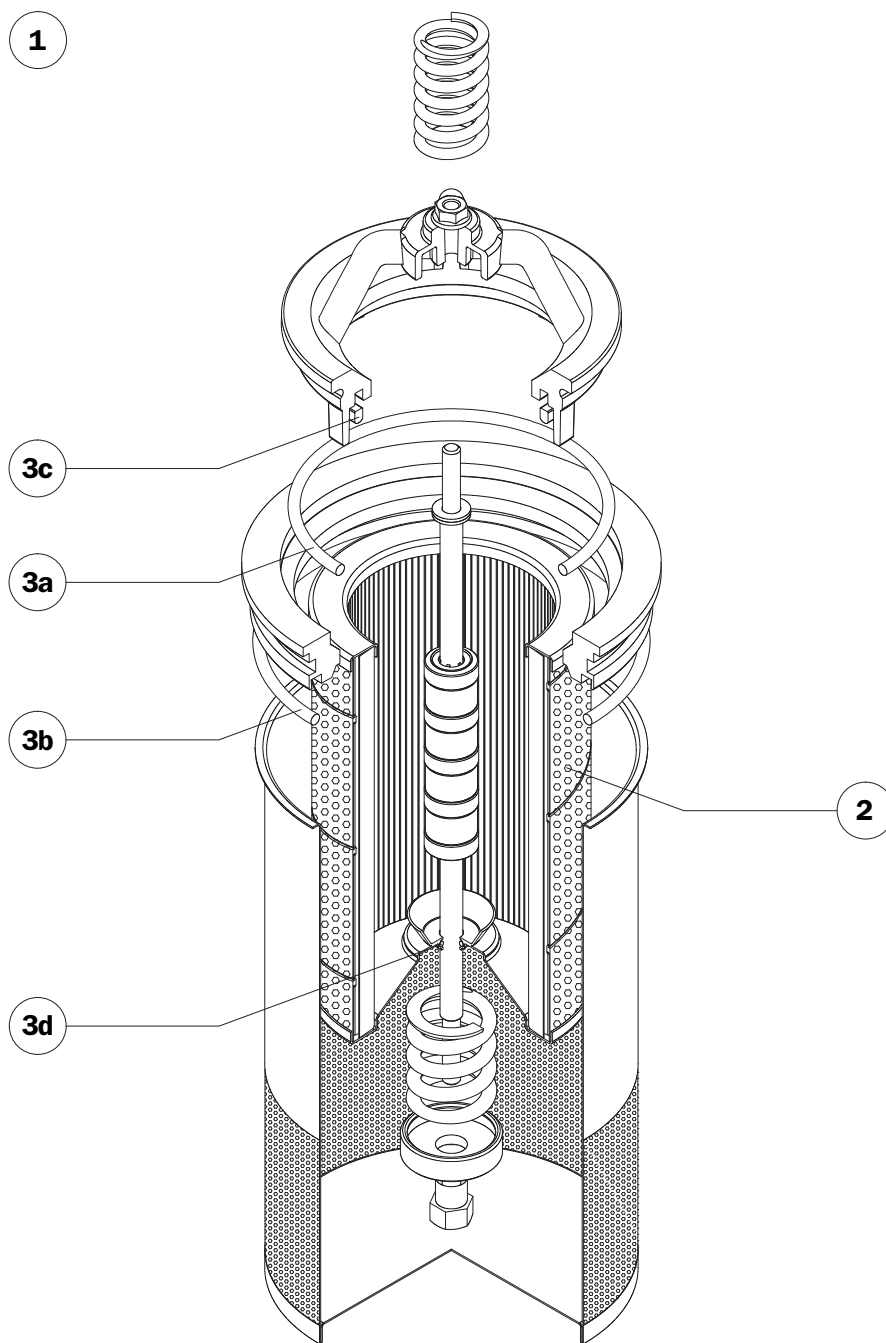
Pos.	Description	Qty	FILTER Series MPI 100 + Diffuser	
1	Filter assembly	1	See order table	
2	Filter element	1	See order table	
3	Seal Kit	1	NBR 02050145	FPM 02050146
3a	Stand/Diffuser seal	1	01026554	01026560
3b	Diffuser/Flange - Tank seal	1	O-R 4312 Ø 78,97 x 3,53	
3c	Stand assembly + BP seal	1	02019052	02019053
3d	Filter element seal	1	O-R Metric Ø 7,5 x 2,5	

Spare parts MPI 100



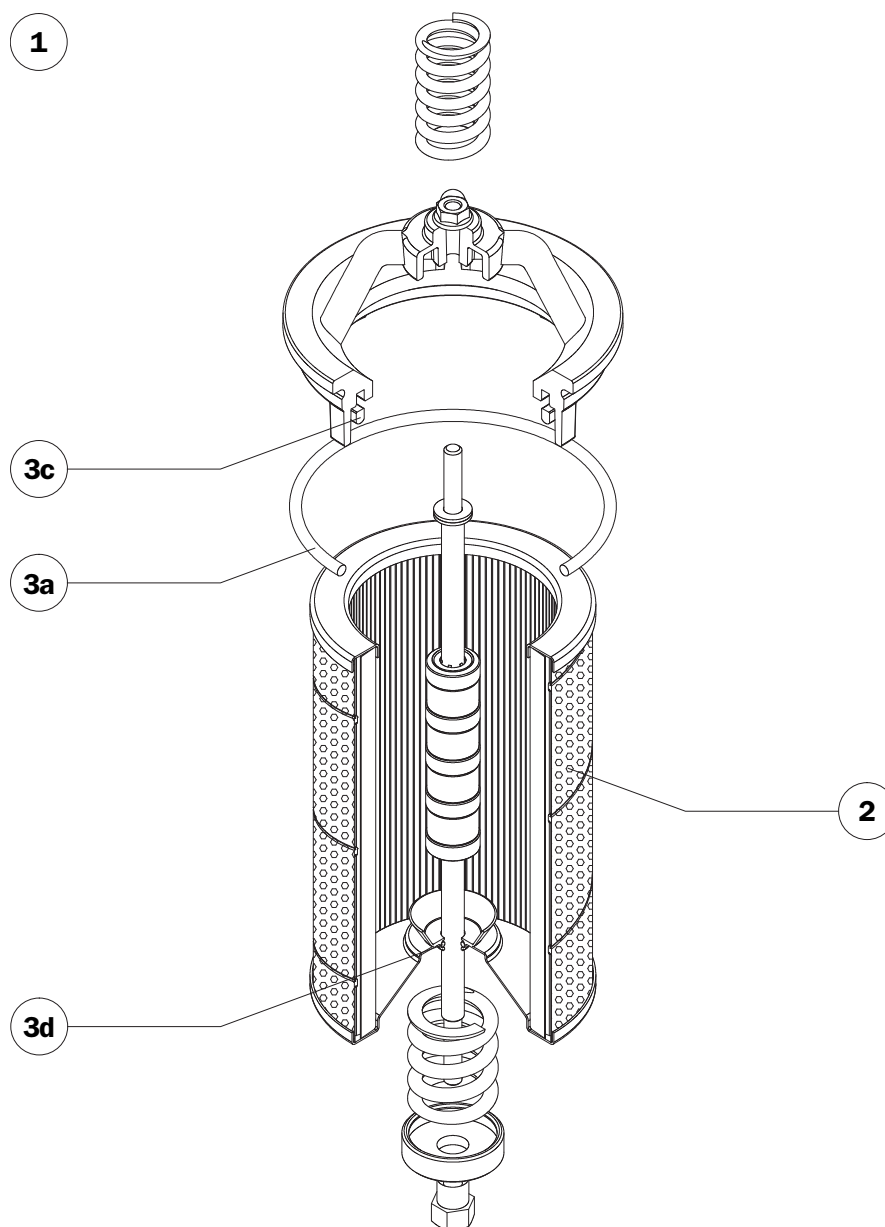
Pos.	Description	Qty	FILTER Series	
			MPI 100 + Without diffuser	
1	Filter assembly	1	See order table	
2	Filter element	1	See order table	
3	Seal Kit	1	NBR	FPM
			02050145	02050146
3a	Stand/Diffuser seal	1	O-R 4275 Ø 69,44 x 3,53	
3c	Stand assembly + BP	1	02019052	02019053
3d	Stand assembly + BP seal	1	O-R Metric Ø 7,5 x 2,5	

Spare parts MPI 250



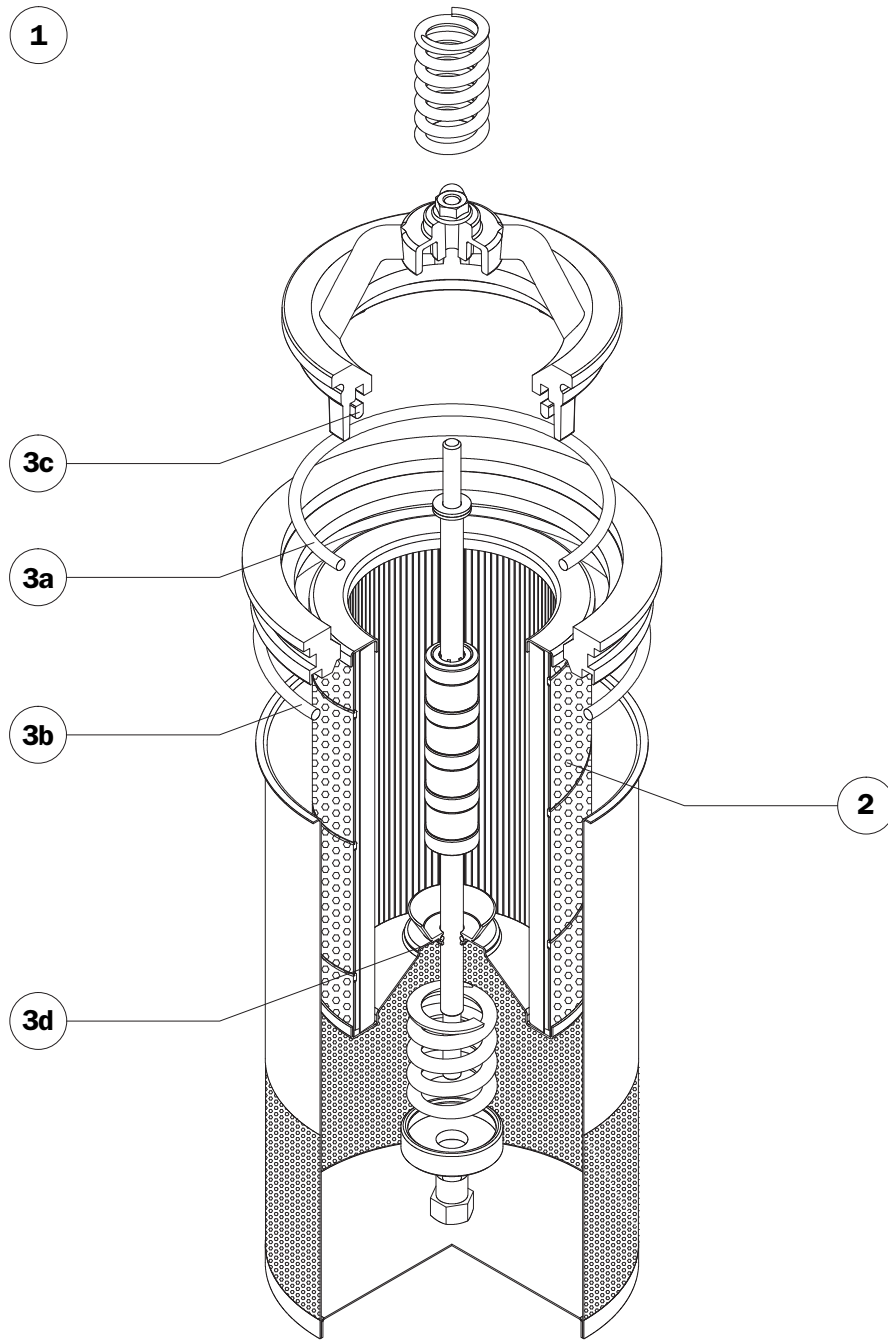
Pos.	Description	Qty	FILTER Series MPI 250 + Diffuser	
1	Filter assembly	1	See order table	
2	Filter element	1	See order table	
3	Seal Kit	1	NBR 02050147	FPM 02050148
3a	Stand/Diffuser seal	1	O-R 4437 Ø 110,70 x 3,53	
3b	Diffuser/Flange - Tank seal	1	O-R 210 Ø 133,40 x 5,34	
3c	Stand BP Seal	1	01026217	01026220
3d	Filter element seal	1	O-R 112 Ø 9,92 x 2,62	

Spare parts MPI 250



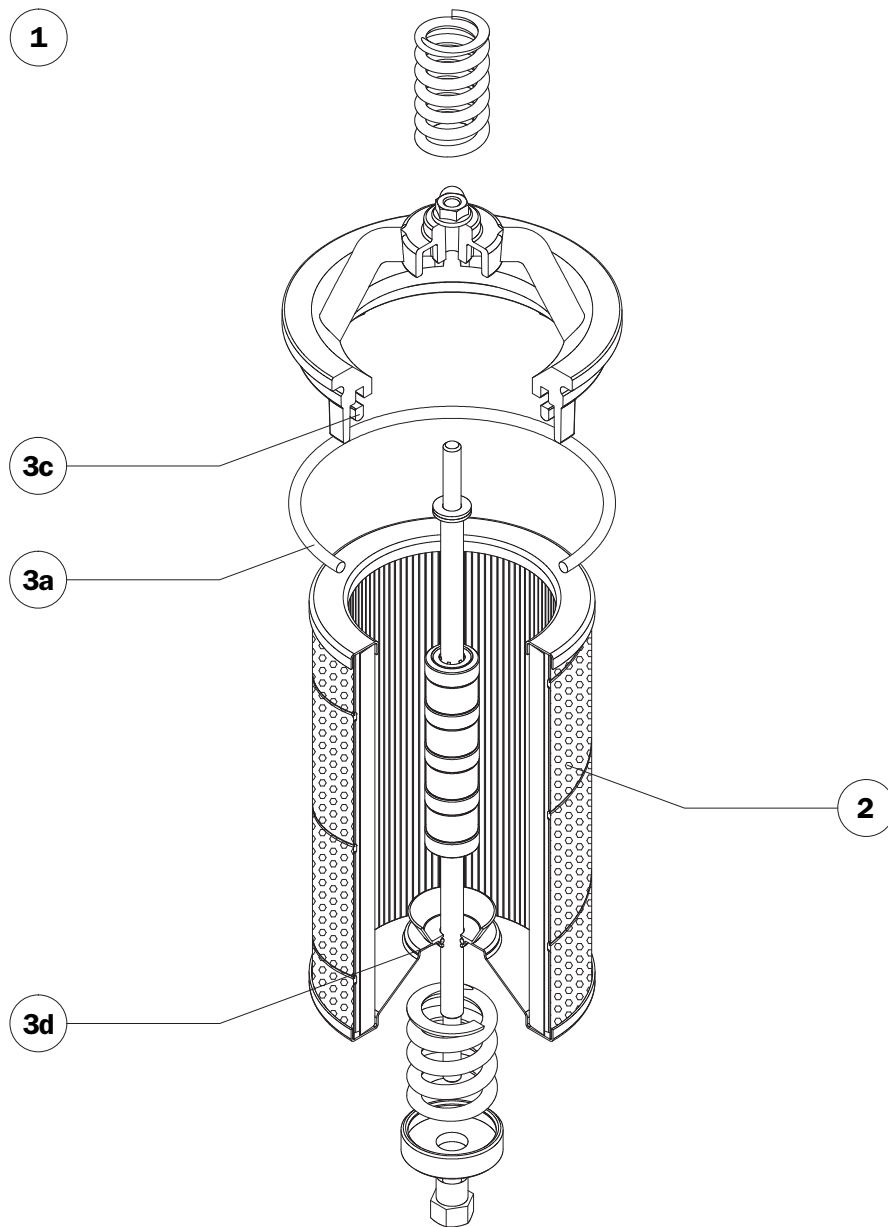
Pos.	Description	Qty	FILTER Series	
			MPI 250 + Without diffuser	
1	Filter assembly	1	See order table	
2	Filter element	1	See order table	
3	Seal Kit	1	NBR 02050147	FPM 02050148
3a	Stand/Tank seal	1	O-R 4437 Ø 110,70 x 3,53	
3c	Stand BP Seal	1	01026217	01026220
3d	Filter element seal	1	O-R 112 Ø 9,92 x 2,62	

Spare parts MPI 630



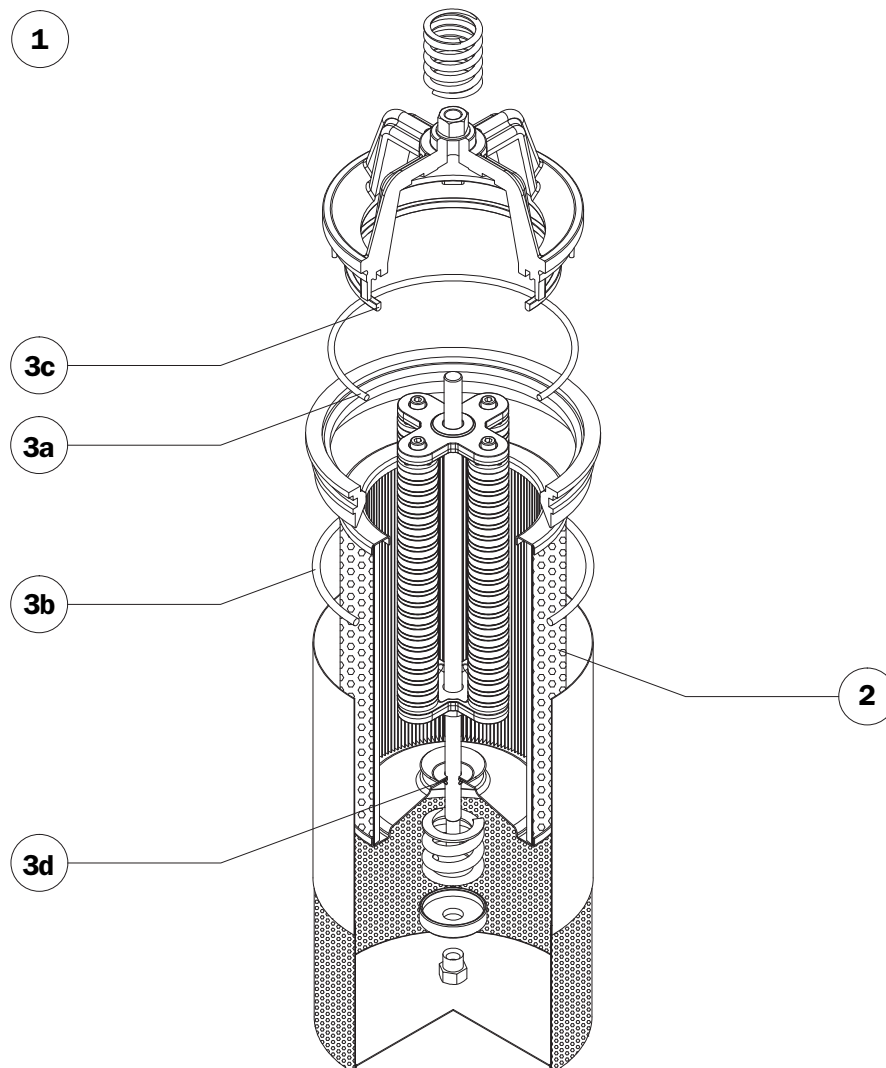
Pos.	Description	Qty	FILTER Series MPI 630 + Diffuser	
1	Filter assembly	1	See order table	
2	Filter element	1	See order table	
3	Seal Kit	1	NBR 02050112	FPM 02050113
3a	Stand/Diffuser seal	1	O-R 210 Ø 133,40 x 5,34	
3b	Diffuser/Flange - Tank seal	1	O-R 6645 Ø 164,47 x 5,33	
3c	Stand BP seal	1	01026228	01026229
3d	Filter element seal	1	O-R 112 Ø 9,92 x 2,62	

Spare parts MPI 630



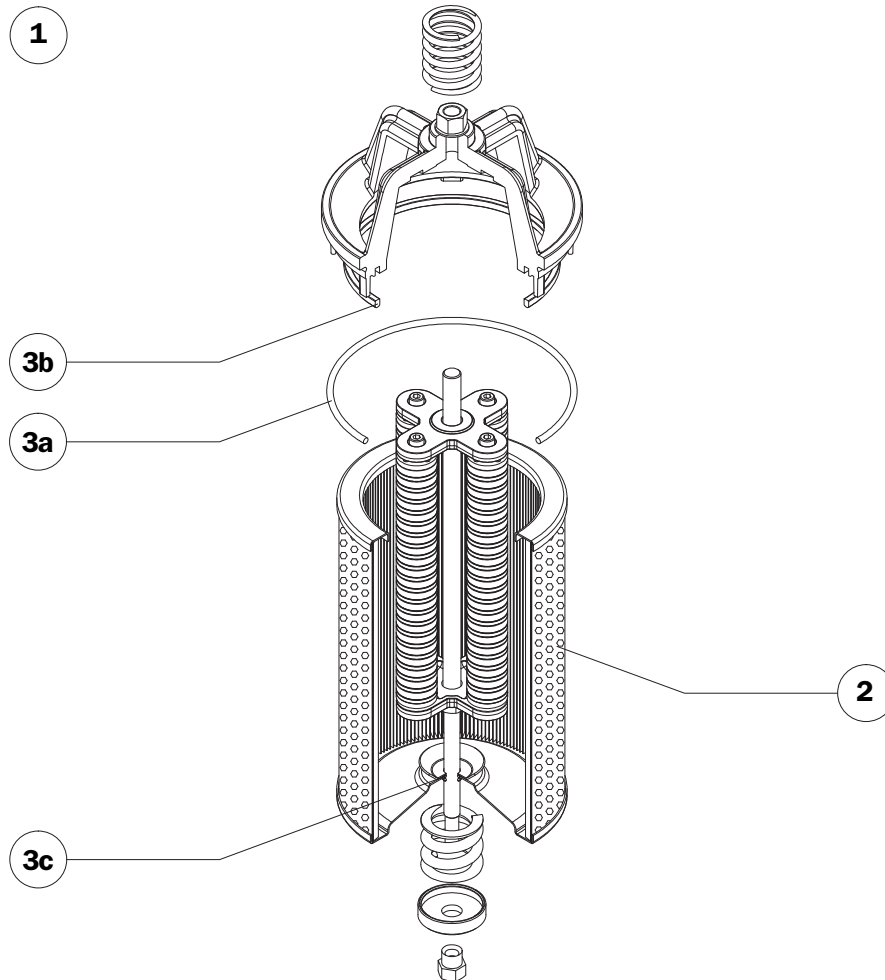
Pos.	Description	Qty	FILTER Series MPI 630 + Without diffuser	
			NBR	FPM
1	Filter assembly	1	See order table	
2	Filter element	1	See order table	
3	Seal Kit	1	02050112	02050113
3a	Stand/Tank seal	1	O-R 210 Ø 133,40 x 5,34	
3b	Stand BP seal	1	01026228	01026229
3c	Filter element seal	1	O-R 112 Ø 9,92 x 2,62	

Spare parts MPI 850



Pos.	Description	Qty	FILTER Series MPI 850 + Diffuser	
1	Filter assembly	1	See order table	
2	Filter element	1	See order table	
3	Seal Kit	1	NBR 02050114	FPM 02050115
3a	Stand/Diffuser seal	1	O-R Metric Ø 209,30 x 5,7	
3b	Diffuser/Flange - Tank seal	1	O-R 8925 Ø 234,30 x 6,99	
3c	Stand BP seal	1	01026248	01026245
3d	Filter element seal	1	O-R 3056 Ø 13,95 x 2,62	

Spare parts MPI 850



Pos.	Description	Qty	FILTER Series	
			MPI 850 + Without diffuser	
1	Filter assembly	1	See order table	
2	Filter element	1	See order table	
3	Seal Kit	1	NBR 02050114	FPM 02050115
3a	Stand/Tank seal	1	O-R Metric Ø 209,30 x 5,7	
3b	Stand BP seal	1	01026248	01026245
3c	Filter element seal	1	O-R 3056 Ø 13,95 x 2,62	

Ordering information MPI

Filter assembly MPI

Example: MPI

1	2	3	4	5	6	7
<input type="text"/>	<input type="text"/>	<input type="text"/>	<input type="text"/>	<input type="text"/>	<input type="text"/>	<input type="text"/>
100	1	C	D	A	A25	P01

Filter element MR

Example: MR

1	2	6	5	7
<input type="text"/>	<input type="text"/>	<input type="text"/>	<input type="text"/>	<input type="text"/>
100	1	A10	A	P01

1 - Style

Filter

Filter element

2 - Filter length

<input type="text" value="1"/>	<input type="text" value="2"/>	<input type="text" value="3"/>	<input type="text" value="4"/>	
<input type="text" value="1"/>	<input type="text" value="2"/>	<input type="text" value="3"/>	<input type="text" value="4"/>	<input type="text" value="5"/>
<input type="text" value="1"/>	<input type="text" value="2"/>	<input type="text" value="3"/>	<input type="text" value="4"/>	

3 - Bypass valve

Without bypass
 1,75 bar
 2,5 bar (not available for filter MPH 850)

4 - Execution

Without diffuser and with magnetic column
 With diffuser and with magnetic column
 Without diffuser and without magnetic column
 With diffuser and without magnetic column

5 - Filter element seals

NBR
 FPM

6 - Filter element

<input type="text" value="A06"/>	Inorganic microfibre 6 μ] Absolute filtration Inorganic Microfibre $\beta_x(c) \geq 1000$
<input type="text" value="A10"/>	Inorganic microfibre 10 μ	
<input type="text" value="A25"/>	Inorganic microfibre 25 μ	
<input type="text" value="M25"/>	Wire mesh] Nominal Filtration Metal mesh
<input type="text" value="M60"/>	Wire mesh	
<input type="text" value="M90"/>	Wire mesh	
<input type="text" value="P10"/>	Impregnated paper] Nominal Filtration Cellulose
<input type="text" value="P25"/>	Impregnated paper	

7 - Option

MP Filtri standard