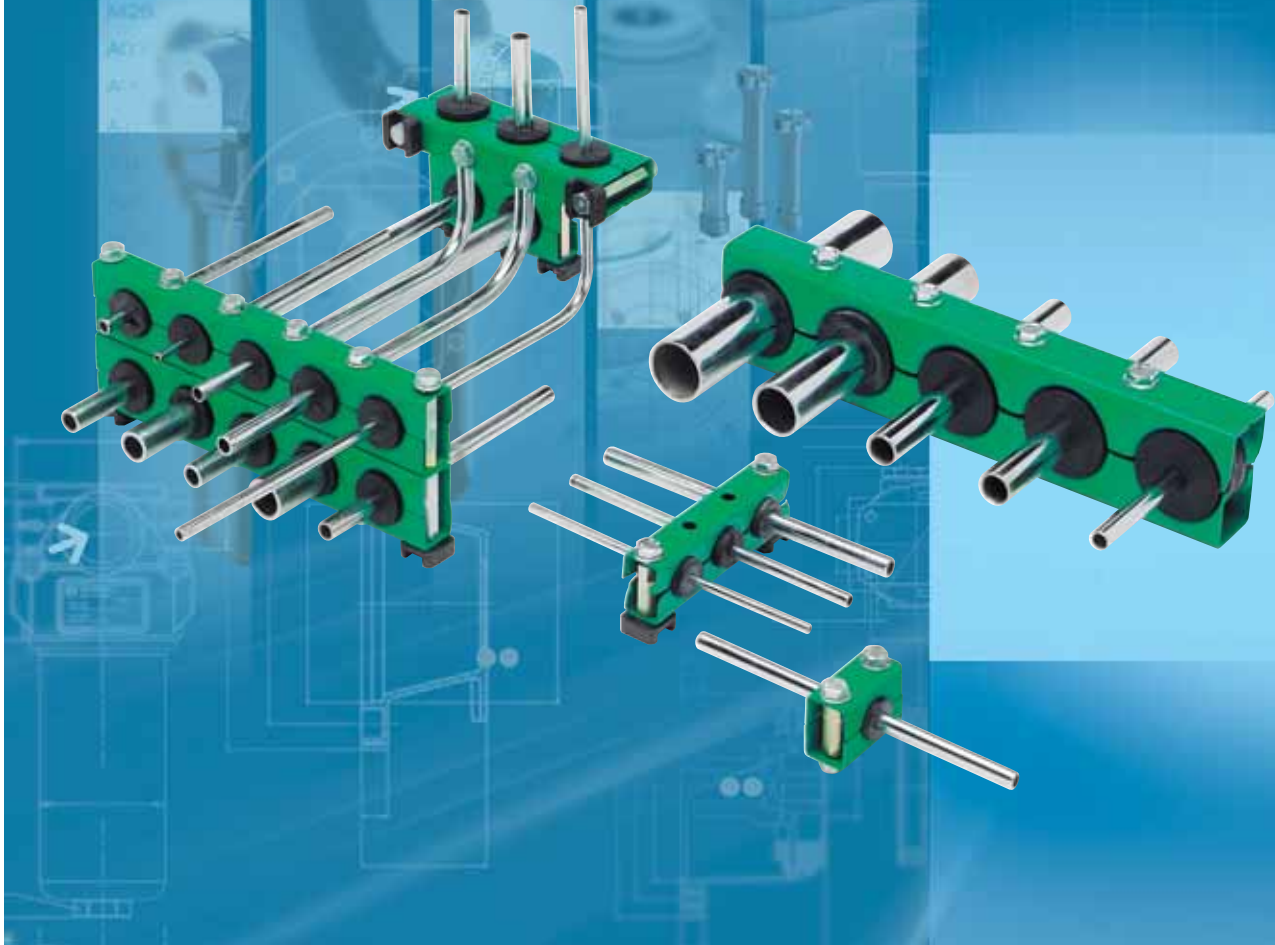


MULTIFIX

FIXING CLAMPS



MULTIFLEX fixing clamps are particularly suitable when a series of pipelines must be installed requiring neat and high precision installation. These brackets make it possible to install various pipelines of different types and diameters, rapidly, easily, and, more importantly, economically.

MULTIFLEX clamps support, guide, and absorb impact and vibration, protecting the pipes and dispensing with the need for complex and unsightly mounting systems with angle clamps etc.

An orderly layout facilitates maintenance resulting in significant savings in running costs; it also allows intuitive visual design of the plant, which can be assembled easily even without specialised labour.

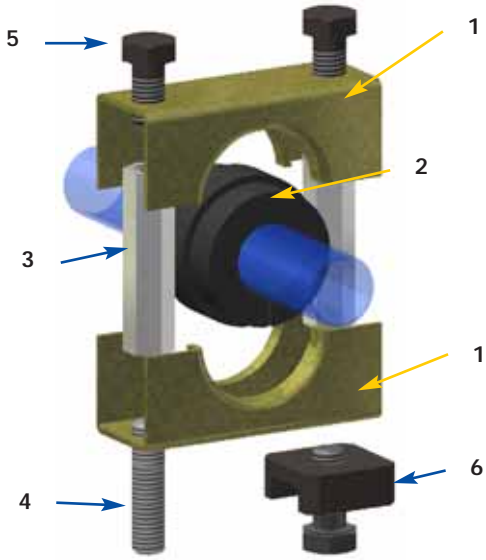
Temperature

- from -25° to +100°C

Compatibility

- NBR seals and Cork Gasket, compatible with:
Mineral oils to ISO 2943 - aqueous emulsions
Synthetic fluids, glycol water.

SFT Single

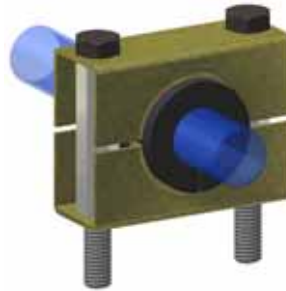


SFT (Materials)

- 1 - Pair of brackets: Galvanised steel
- 2 - Bush: NBR
- 3 - Spacer: Steel
- 4 - Studs: Steel
- 5 - Screws: Steel
- 6 - Foot + screw: Steel

Ordering information

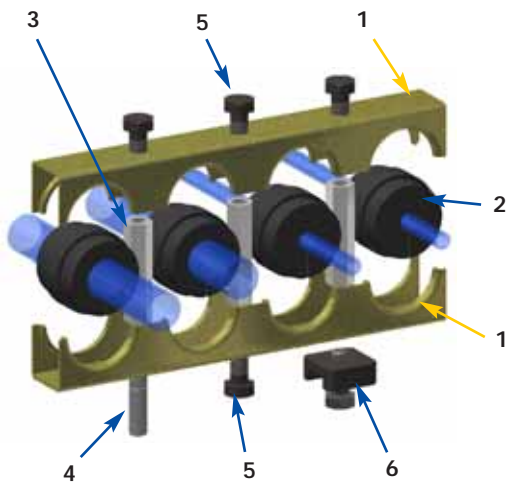
	Size
1 - SFT	38 - 51 - 78
2 - B	38 - 51 - 78
3 - D	38 - 51 - 78
4 - P	38 - 51 - 78
5 - Screws	Steel
6 - W	38 - 51 - 78



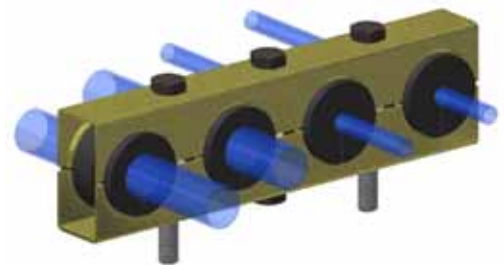
Fixing with threaded holes



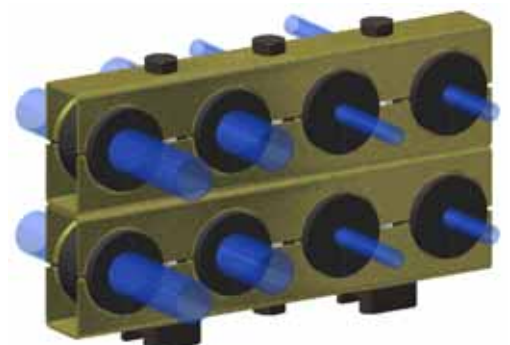
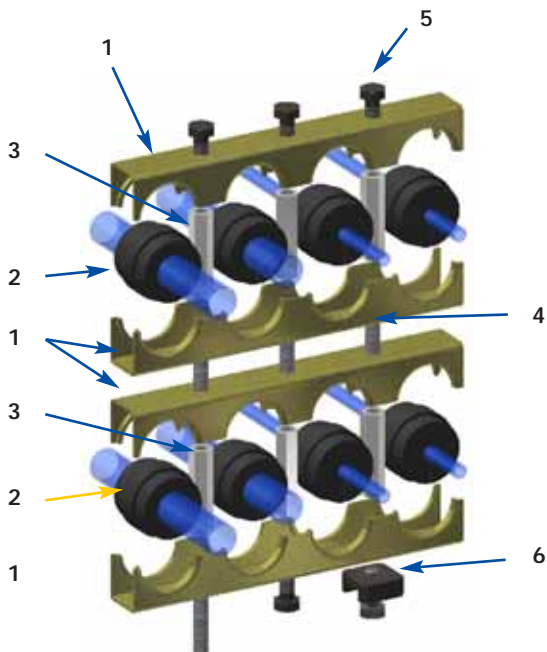
Fixing with welded foot



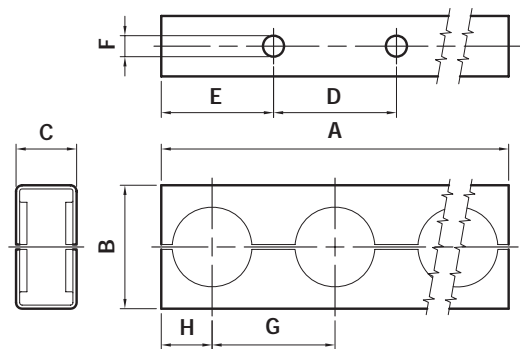
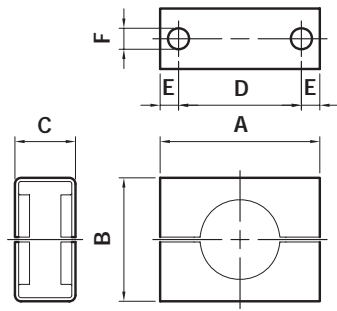
SFT Modular



SFT Modular and Stacked

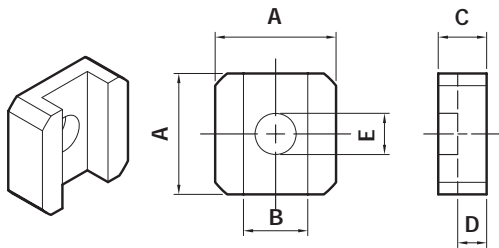


Dimensions

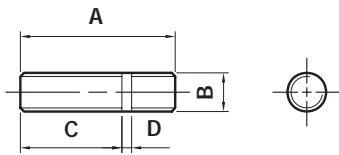


Ordering information	A	B	C	D	E	F	Weights (Kg)
SFT 38 1	56	38	25	38,1	9	8,7	0,07
SFT 51 1	66	51	25	50,8	7,5	8,7	0,09
SFT 78 1	95	78	41	76,2	9,5	11,1	0,34

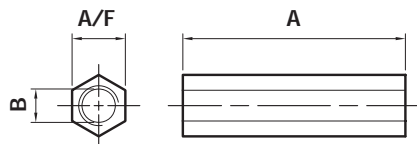
Ordering information	A	B	C	D	E	F	G	H	Weights (Kg)
SFT 38 26	982	38	25	38,1	34	8,7	38,1	15	1,04
SFT 51 19	956	51	25	50,8	47	8,7	50,8	21	1,25
SFT 78 16	1213	78	41	76,2	72	11,1	76,2	35	4,14



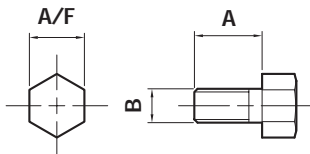
Foot	SFT 38/51	SFT 78
A	25	32
B	13,3	17,5
C	10	12
D	6	8
E	8,5	11



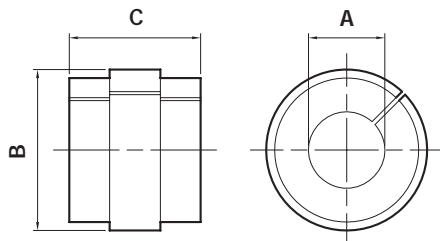
Stud	SFT 38/51	SFT 78
A	32	38
B	M8	M10
C	21	22
D	2	2



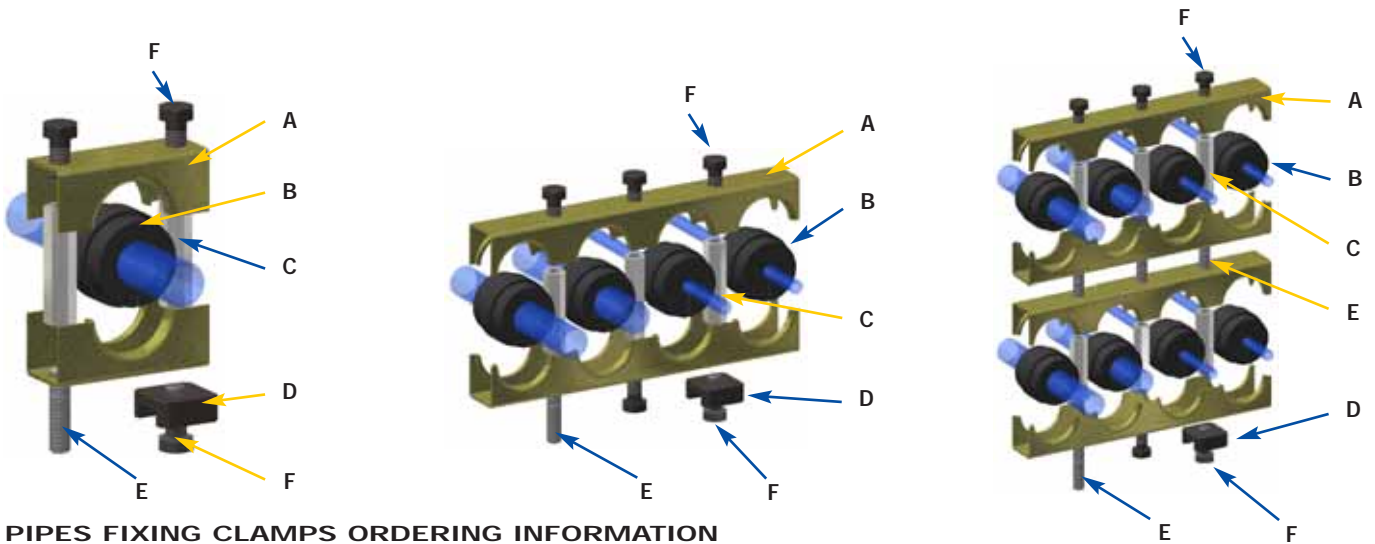
Spacer	SFT 38	SFT 51	SFT 78
A	33	46	72
B	M8	M8	M10
A/F	11	11	13



Screw	SFT 38/51	SFT 78
A	16	30
B	M8	M10
A/F	13	17



Bushes		SFT 78	
SFT 51		B = Ø 59	C = 45 Ø A
Bushes	B = Ø 38	C = 31 Ø A	8
SFT 38	B = Ø 25	C = 31 Ø A	10
			12
		6	15
		8	18
		10	22
		12	25
		15	28
		18	33
		22	35
		25	42
		28	50



PIPES FIXING CLAMPS ORDERING INFORMATION

A	1	2	3
SFT	<input type="checkbox"/>	<input type="checkbox"/>	<input type="checkbox"/>
Example: SFT	51	19	P01

1 - Size

- 38
- 51
- 78

2 - No. of tube connections

Single style

- 1 All sizes / Single hole

Multiple style

- 26 Size 38 / No. holes: 26
- 19 Size 51 / No. holes: 19
- 16 Size 78 / No. holes: 16
- xx On request

3 - Options

- P01 MP Standard

ORDERING INFORMATION FOR ACCESSORIES FOR: SFT

" B " Pipe bushes

Size 38	Size 51	Size 78	Øe Pipe (mm)	Øe Pipe (inch)
B38 6	B51 6	-	6	1/4"
B38 8	B51 8	B78 8	8	5/16"
B38 10	B51 10	B78 10	10	3/8"
B38 1214	B51 1214	B78 1214	12 - 14	1/2"
B38 1516	B51 1516	B78 1516	15 - 16	5/8"
B38 1820	B51 1820	B78 1820	18 - 20	3/4"
	B51 22	B78 22	22	7/8"
	B51 25	B78 25	25	1"
	B51 28	-	28	-
		B78 2830	28 - 30	1 1/8"
		B78 33	33	1 1/4"
		B78 3538	35 - 38	1 3/8" - 1 1/2"
		B78 42	42	1 3/4"
		B78 50	50	2"

Example: B 51 1516

" C " Spacer

- D38M Size 38 Metric
- D51M Size 51 Metric
- D78M Size 78 Metric
- D38U Size 38 UNC
- D51U Size 51 UNC
- D78U Size 78 UNC

Example: D 51 M

" D " Foot

- W3851 Size 38 and 51
- W78 Size 78

Example: W 3851

" E " Stud

- P3851M Size 38 and 51 Metric
- P78M Size 78 Metric
- P3851U Size 38 and 51 UNC
- P78U Size 78 UNC

Example: P3851 M

" F " Screw

- V3851M Size 38 and 51 Metric
- V78M Size 78 Metric
- V3851U Size 38 and 51 UNC
- V78U Size 78 UNC

Example: V 3851 M